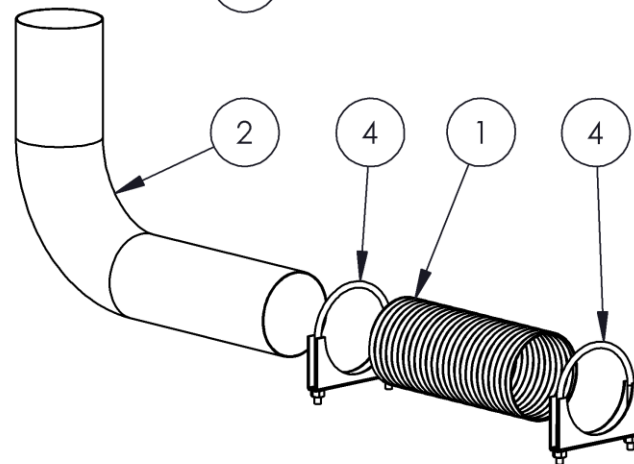
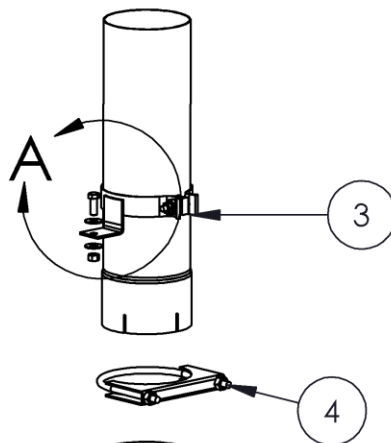
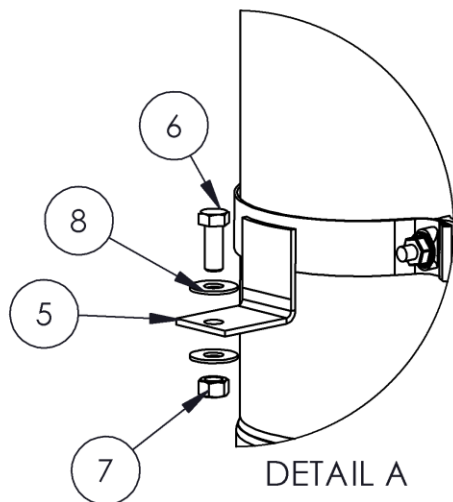


UT7001 UT8001

UNIVERSAL ALL FULL SIZE PICK-UP BEDS,
SINGLE STACK KIT, 5" *SMOKERS*®

MBRP
INC.
PERFORMANCE EXHAUST



1. FLEX PIPE
2. ELBOW
3. 18" EXTENSION PIPE
4. 5" CLAMP (3 PCS)
5. 5" BED MOUNTING BRACKET
6. 3/8" WASHER (2 PCS)
7. 3/8" BOLT
8. 3/8" NUT

NOTE: STACK AND STACK MOUNTING BRACKET SOLD SEPARATELY (NOT SHOWN)

PLEASE READ BEFORE STARTING INSTALLATION

While MBRP Inc. has made every effort to ensure that all components of this system are of superior quality and properly packaged, it is the installer's responsibility to ensure the following before removal of the factory exhaust:

- that ALL components shown above are present.
- that ALL mating components fit together.
- that there are no damaged components.
- that the system you have purchased is appropriate for your vehicle year, model and configuration.
- that the system will not interfere with any modifications previously installed or planned.
- that you have read and understand these instructions.

If you have any questions or are uncertain about any aspect of the installation of this system to your vehicle please contact your dealer before commencing installation.

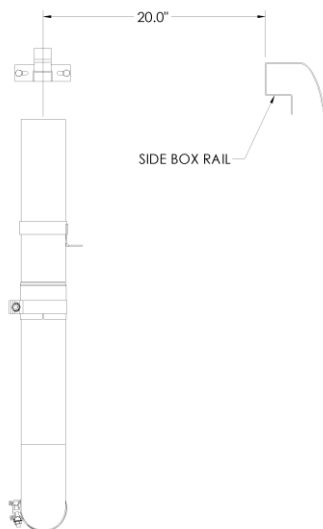


Figure 1

Installation of MBRP Inc. "Smokers®":

1. Measure 20" across from the inside surface of the passenger side bed rail. Mark this location along the rail. This will be the approximate centerline of the Stack once installed. **Refer to Figure 1.**
2. Using the Stack and the Band Clamp from the separately purchased Stack Kit, slide the Band Clamp over the Stack. Wedge the Stack Mounting Bracket (also purchased separately) between the Band Clamp and Stack, adjust to the bed rail height and tighten the Band Clamp slightly. Make sure the Stack is vertical, the Stack Mounting Bracket is flush against the bed rail and centered on the measurement made in Step 1. Trace a circle around the base of the Stack and center punch the circle's center. **Verify that the center punch hole is in line with your existing exhaust and adjust accordingly.** This will be the center line of your Stack.
3. Align the Stack centered on the mark you made in Step 2. Mark the bolt hole location of the Stack Mounting Bracket onto the front rail of the bed. Center punch the marks and drill holes to accommodate the **3/8"** hardware. **Refer to Figure 2.**
4. Loosely attach the Stack Mounting Bracket to the front of the truck bed using the **3/8"** hardware supplied. Set the Stack up in the bed and loosely attach it to the Stack Mounting Bracket. Make sure the Stack is vertical and in the desired position. **Refer to Figure 3.**



Figure 2



Figure 3

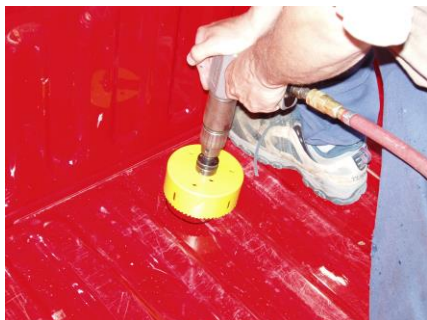


Figure 4



Figure 5



Figure 6

5. Confirm that the base of the Stack is resting in the same position as in Step 4. Re-trace and center punch if needed. This is where the **Extension Pipe** will pass through the floor. Remove the Stack from the bed of the truck. Drill a hole using a 6" saw. It may be required to cut a part of a bed floor rail away. **Refer to Figure 4.**
6. Measure from the **Extension Pipe** slip joint to the exhaust system that you are connecting to. Mark and cut the long side of the **Elbow** to the required length so that it lines up with the vehicle's exhaust system. Cut the vehicle's exhaust system in a place where the **Flex Pipe** can be placed between the exhaust system and the **Elbow**, allowing for the **Flex Pipe** to overlap the vehicle's exhaust and the **Elbow** by 3". It may be necessary to cut the **Elbow** again as well as cut the **Flex Pipe** to ensure proper fit. **Refer to Figure 5.**
7. Attach the **Elbow** to the **Extension Pipe** slip joint and then attach the **Flex Pipe** to both the **Elbow** and the vehicle's exhaust system. Be sure to slide the required 5" **Clamps** over the **Elbow** and **Flex Pipe** before connecting it to the vehicle's exhaust system. **Refer to Figure 6.**
8. Slide the **Bed Mounting Bracket** onto the **Extension Pipe**. Install the assembly on the outlet of the **Elbow** with the required 5" **Clamp**. Reinstall the Stack by sliding the inlet over the **Extension Pipe** and then securing the Stack to the Stack Mounting Bracket with the Clamp supplied with your Stack. Align the system and tighten all **Clamps** to ensure that your "Smokers®" exhaust system remains properly aligned.

9. Slide the **Bed Mounting Bracket** to the desired position on the **Extension Pipe** to allow installation of the mounting hardware. Ensure the **Stack** is vertical. Trace the **Bed Mounting Bracket** hole from the bracket to the floor and drill a hole to accommodate the 3/8" hardware supplied. Secure the **Bed Mounting Bracket** to the truck and tighten the **Bed Mounting Bracket** to the **Extension Pipe**. This **Bed Mounting Bracket** will ensure the Stack remains in position and doesn't vibrate.

10. Check along the whole length of the exhaust system to ensure that there is adequate clearance around fuel lines, brake lines and any wiring. If any interference is detected relocate or adjust.



Shown with 6" X 36"

Stack (B1660)

Congratulations! You are ready to begin experiencing the improved power, sound and driving excitement of your *MBRP Inc. "Smokers®"*. We are certain you will enjoy your purchase.