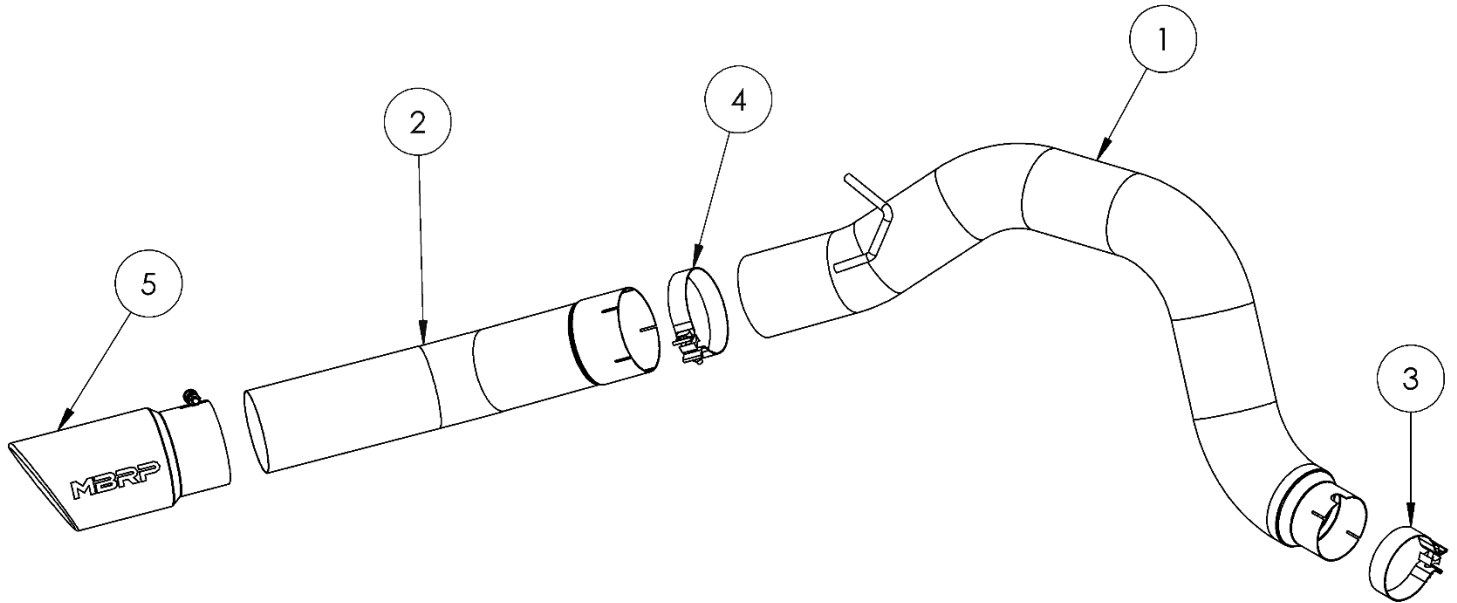


S61650

2013-18 RAM CUMMINS 6.7L
FILTER BACK 5" SINGLE SIDE -
CREW CAB SHORT BOX

MBRP



1. OVER AXLE PIPE
2. TAIL PIPE
3. 4" CLAMP
4. 5" CLAMP
5. EXHUAST TIP

NOTE: NOT RECOMMENDED FOR VEHICLES EQUIPPED WITH AIR SUSPENSION

PLEASE READ BEFORE STARTING INSTALLATION

While MBRP Inc. has made every effort to ensure that all components of this system are of superior quality and properly packaged, it is the installer's responsibility to ensure the following before removal of the factory exhaust:

- that ALL components shown above are present.
- that ALL mating components fit together.
- that there are no damaged components.
- that the system you have purchased is appropriate for your vehicle year, model and configuration.
- that the system will not interfere with any modifications previously installed or planned.
- that you have read and understand these instructions.

If you have any questions or are uncertain about any aspect of the installation of this system to your vehicle please contact your dealer before commencing installation.

MBRP



Figure 1



Figure 2



Figure 3



Figure 4

Removal of Stock System:

1. Apply a penetrating lubricant liberally to all exhaust fasteners, hangers and rubber insulators.
2. Lower the spare tire and remove the spare tire heat shield (4 bolts). **Refer to Figure 1.**
3. Loosen the nut on the clamp located behind the particulate filter. **Refer to Figure 2.**
4. Remove the tail pipe from the particulate filter and then from the factory rubber insulator. Remove the stock exhaust from the vehicle.

Installation of MBRP Performance Exhaust:

1. Slide the **4" Clamp** onto the outlet end of the particulate filter. Install the **5" Tail Pipe** from the rear of the truck, over the axle and install into the factory rubber insulator. **Refer to Figure 3.**
2. Install the **5" Tail Pipe** onto the particulate filter, taking care to align the tab on the filter to the slot in the **5" Tail Pipe**. **Refer to Figure 4.**
3. Slide the **5" Clamp** onto the end of the **Over Axle Pipe**. Install the **Tail Pipe** onto the **Over Axle Pipe**.
4. Re-install the spare tire heat shield and raise the spare tire into position.
5. Align the exhaust as required. Starting at the front of the exhaust, tighten all clamps and connections.
6. Install and adjust the **Exhaust Tip** to suit. Tighten the lock bolt located on **Exhaust Tip**.

7. Tighten all hardware and clamps, starting at the front and working rearward to secure the system. Check along the full length of the exhaust system to ensure there is adequate clearance for fuel lines, vent lines, brake lines, frame, bodywork, suspension, and any wiring, etc. If there is any interference detected, relocate, or adjust to provide adequate clearance. Ensure all clamp connections are secure and components are unable to rotate or slide. Band clamps require approximately 45 lb-ft (60 N-m) of torque.

Verify clearances, system security and band clamp torque after 30-60 miles (50-100 km) of driving.

MBRP



Congratulations! You are ready to begin enjoying the improved performance and driving experience of your **MBRP** performance exhaust system. We hope you enjoy your purchase.