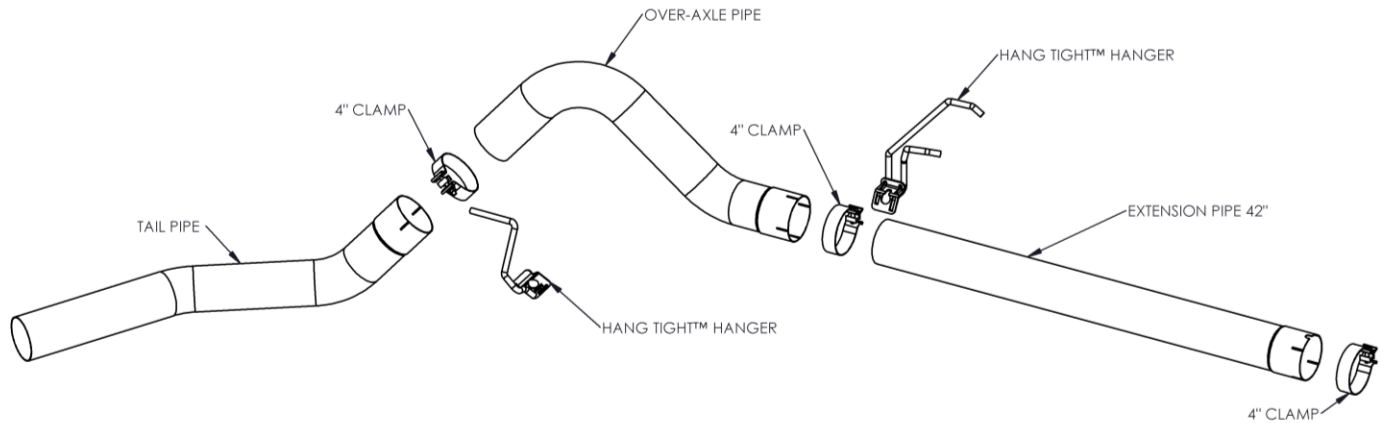


# S6130P/SLM

2007-2012 RAM 2500/3500, 6.7L CUMMINS, 4" FILTER BACK, SINGLE SIDE EXIT



April 3, 2020



### PLEASE READ BEFORE STARTING INSTALLATION

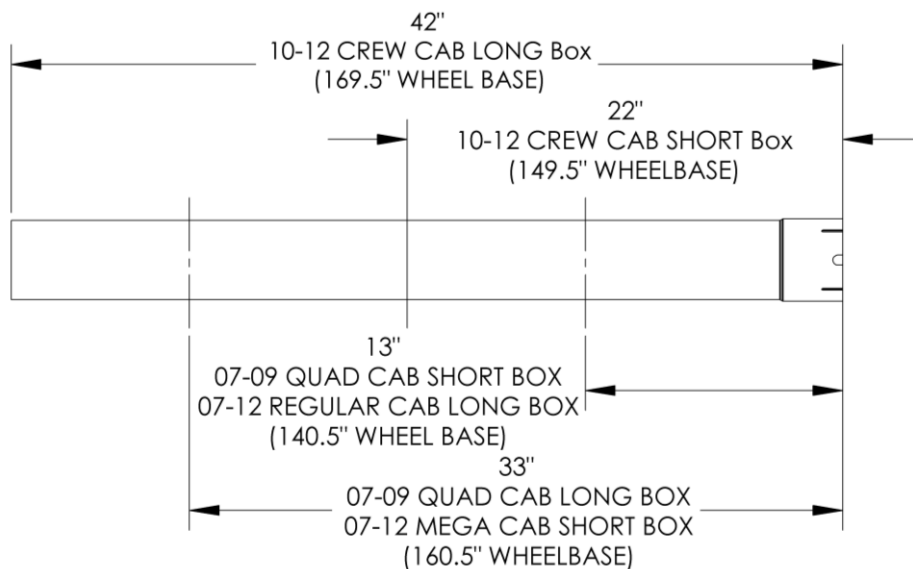
MBRP has made every effort to ensure that all components of this system are of superior quality and properly packaged. It is the installer's responsibility to ensure that all components are present and fit together as shown. Please also ensure that all components are undamaged before removal of the factory exhaust. Finally, check that this system properly matches the make and model of the vehicle and will not interfere with previous or planned modifications.

### Removal of Stock System:

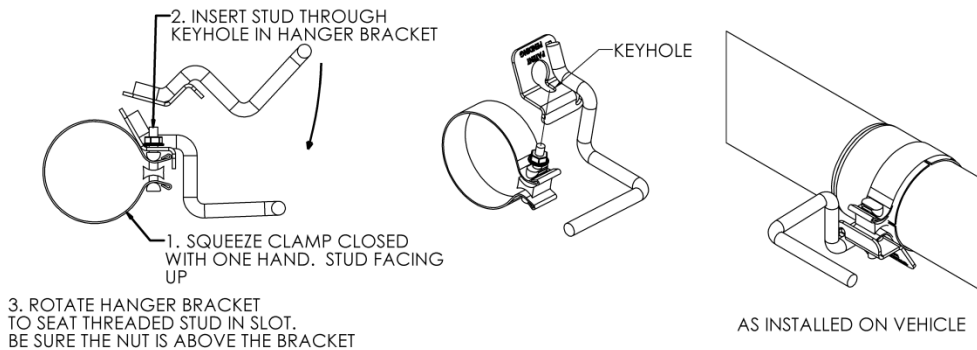
1. Apply a penetrating lubricant liberally to all exhaust fasteners, hangers and rubber insulators.
2. Loosen the nut on the clamps located behind the particulate filter and behind the muffler using wrench or socket.
3. Remove the muffler and tail pipe from the OEM rubber hangers. Remove the stock exhaust from vehicle.

### Installation of MBRP Performance Exhaust:

1. The **Extension Pipe** provided is the proper length when used for the Crew Cab Long Box. Refer to the diagram if the **Extension Pipe** must be cut. Slide a **4" Clamp** onto inlet end of the **Extension Pipe**.



2. Install both supplied **Hang Tight™ Hangers** onto **4.0” Band Clamps** using the procedure shown below. (Hang Tight™ Hanger not exactly as shown)



3. Slide the previously assembled dual **Hang Tight™ Hanger Clamp** assembly onto the end of the **Extension Pipe**. Install the hangers into the existing rubber insulators.
4. Install the **Over-Axle Pipe** from the rear of the truck, over the axle and attach it to the **Extension Pipe** using the dual **Hang Tight™ Hanger Clamp** assembly.
5. Install the second (smaller) **Hang Tight™ Hanger Clamp** into the existing rubber isolator. Use the **Hang Tight™ Hanger Clamp** to join the **Tail Pipe** and **Over-Axle Pipe**.
6. Align the exhaust as required. Starting at the front of the exhaust, tighten all clamps and connections.
7. Check along the whole length of the exhaust system to ensure that there is adequate clearance around the spare tire, fuel and brake lines or any wiring. If any interference is detected relocate or adjust.

**Congratulations!** You are ready to begin experiencing the improved power, sound and driving excitement of your **MBRP** performance exhaust system. We know you will enjoy your purchase.