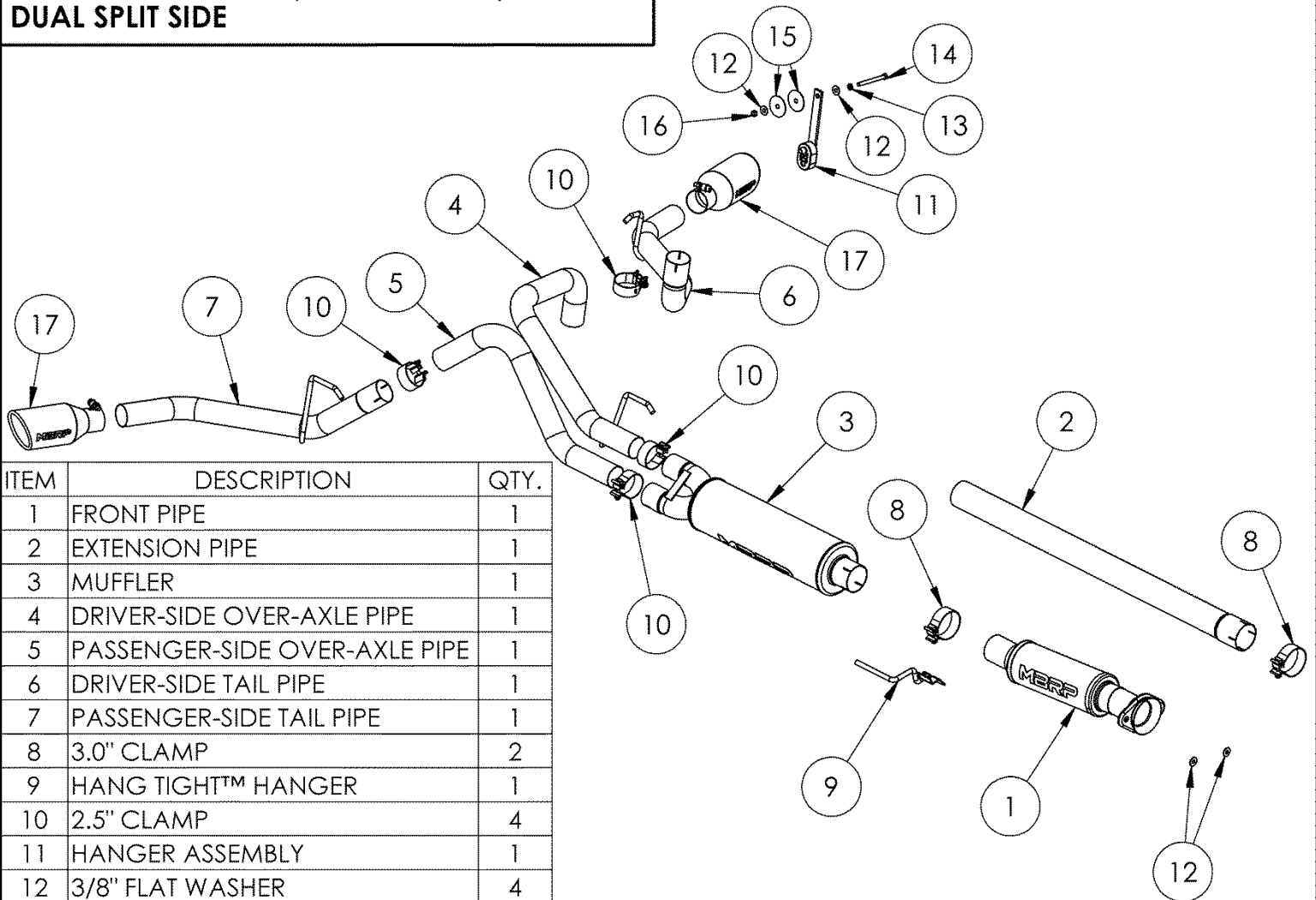


S5213

2021-UP FORD F150,
2.7L ECOBOOST, 3.5L ECOBOOST, 5.0L,
EXCL. POWERBOOST, 3" CAT-BACK, 2.5"
DUAL SPLIT SIDE

MBRP®



ITEM	DESCRIPTION	QTY.
1	FRONT PIPE	1
2	EXTENSION PIPE	1
3	MUFFLER	1
4	DRIVER-SIDE OVER-AXLE PIPE	1
5	PASSENGER-SIDE OVER-AXLE PIPE	1
6	DRIVER-SIDE TAIL PIPE	1
7	PASSENGER-SIDE TAIL PIPE	1
8	3.0" CLAMP	2
9	HANG TIGHT™ HANGER	1
10	2.5" CLAMP	4
11	HANGER ASSEMBLY	1
12	3/8" FLAT WASHER	4
13	3/8" LOCK WASHER	1
14	3/8" HEX BOLT X 4"	1
15	7/16" FENDER WASHER	2
16	3/8" HEX NUT	1
17	TIP	2

PLEASE READ BEFORE STARTING INSTALLATION

While MBRP has made every effort to ensure that all components of this system are of superior quality and properly packaged, it is the installer's responsibility to ensure the following before removal of the factory exhaust:

- that ALL components shown above are present.
- that ALL mating components fit together.
- that there are no damaged components.
- that the system you have purchased is appropriate for your vehicle year, model and configuration.
- that the system will not interfere with any modifications previously installed or planned.
- that you have read and understand these instructions.

If you have any questions or are uncertain about any aspect of the installation of this system to your vehicle please contact your dealer before commencing installation.

MBRP

Removal of Stock System:

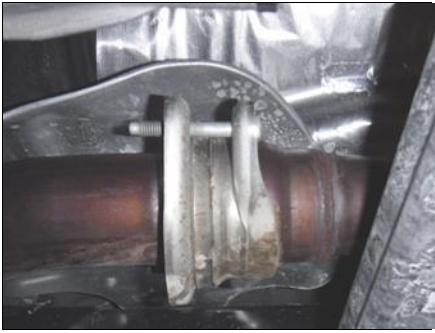


Figure 1

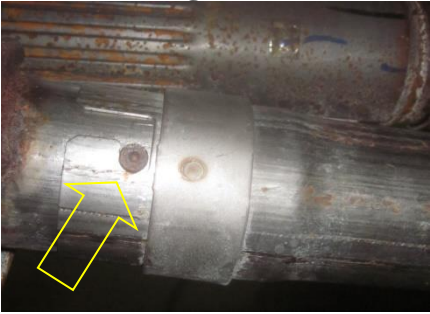


Figure 2



Figure 4



Figure 5



Figure 6

1. Apply a penetrating lubricant liberally to all hangers and rubber insulators.
2. Loosen the factory clamp in front of the muffler.
3. Loosen the factory extension pipe flange bolts.

Refer to Figure 1.

4. Rotate the factory extension pipe to release the factory muffer inlet locking boss.

Refer to Figure 2.

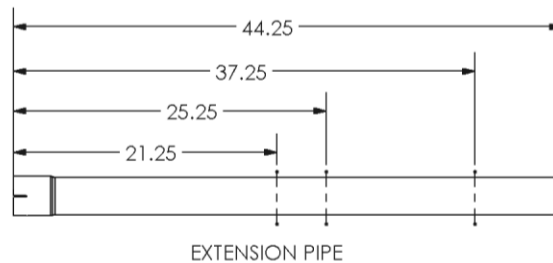
5. Remove the factory muffer assembly from the hangers and remove from the vehicle.

6. Remove the factory extension pipe bolts and remove the factory extension pipe from the vehicle. Retain the bolts as they are used in the assembly.

Installation of MBRP Performance Exhaust:

1. Determine the overall length of the **Extension Pipe** (if required).

Refer to Figure 3.



WHEELBASE	EXTENSION PIPE LENGTH
122" RC 6.5' BOX	NONE
141" RC 8' BOX	21.25"
145" EC 6.5' BOX/ SC 5.5' BOX	25.25"
157" SC 6.5' BOX	37.25"
164' EC 8' BOX	44.25" (NO CUT)

Figure 3.

2. Loosely install the **Front Pipe** using 2 of the supplied **3/8" Flat Washers** and factory bolts.

Refer to Figure 4.

3. Install the appropriate length **Extension Pipe** onto the front pipe using a **3" Clamp**.

Refer to Figure 5.

MBRP



Figure 7

4. Install the **Hang Tight™ Hanger** onto a **3.0" Band Clamp** using the procedure shown below. (Hang Tight™ Hanger not exactly as shown)

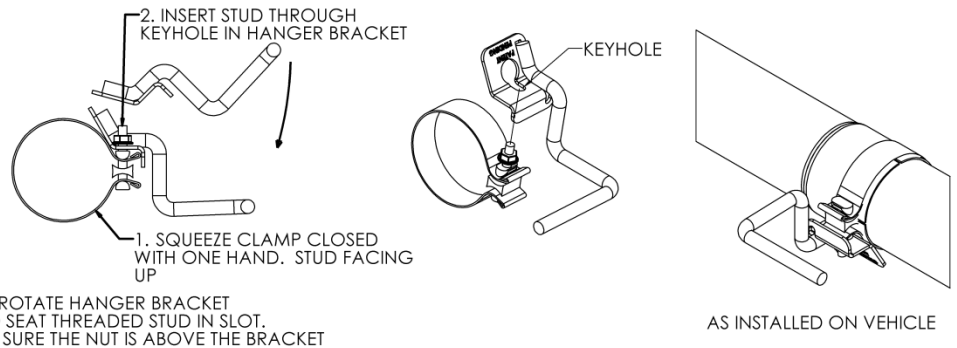


Figure 8

5. Install the **Hang Tight™ Hanger Clamp Assembly** onto the **Extension Pipe** and into the factory isolator. (5.0L shown. On EcoBoost models, use the rear-most factory isolator)

Refer to Figure 6.



Figure 9

6. Install the **Muffler** onto the **Extension Pipe** and lightly secure with the **Hang Tight™ Hanger Clamp Assembly**. **Muffler** outlets will be at a 45° angle viewed from the rear, with the passenger-side outlet at the bottom. (EcoBoost shown.)

Refer to Figure 7.

7. Place a **2.5" Clamp** over each **Muffler** outlet and insert the **Driver-Side Over-Axle Pipe** into the left upper **Muffler** outlet and factory isolator.

Refer to Figure 8.



Figure 10

8. Install the **Passenger-Side Over-Axle Pipe** into the lower right **Muffler** outlet. Snug but do not completely tighten the **2.5" Clamp**.

Refer to Figure 9.

9. Install the **Hanger Assembly** using the supplied **Hardware** through the large hole in the rear of the driver-side frame. Tighten the hardware enough to support the pipe but leave the final tightening until the final step. The **Hanger Assembly** attachment allows for some height adjustment to align the **Tail Pipes**.

Refer to Figures 10 and 11.



Figure 11

MBRP



Figure 12

10. Install the **Passenger-Side Tail Pipe** onto the **Passenger-Side Over-Axle Pipe** and into the factory isolator.
Refer to Figure 12.



Figure 13

11. Install the **Driver-Side Tail Pipe** into the **Driver-Side Hanger Assembly** and onto the **Driver-Side Over-Axle Pipe** using a **2.5" Clamp**.
Refer to Figure 13.



Figure 14

12. Install the **Exhaust Tips** and adjust to your liking.
Refer to Figure 14 and 15.



Figure 15

13. Tighten all hardware and clamps, starting at the front and working rearward to secure the system. Check along the full length of the exhaust system to ensure there is adequate clearance for fuel lines, vent lines, brake lines, frame, bodywork, suspension, and any wiring, etc. If there is any interference detected, relocate, or adjust to provide adequate clearance. Ensure all clamp connections are secure and components are unable to rotate or slide. Band clamps require approximately 45 lb-ft (60 N-m) of torque. Verify clearances, system security and band clamp torque after 30-60 miles (50-100 km) of driving.



Congratulations! You are ready to begin experiencing the improved power, sound and driving experience of your **MBRP** performance exhaust system. We know you will enjoy your purchase.