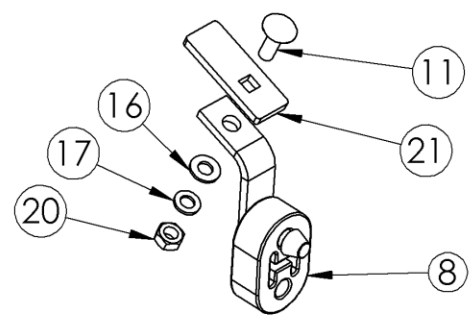
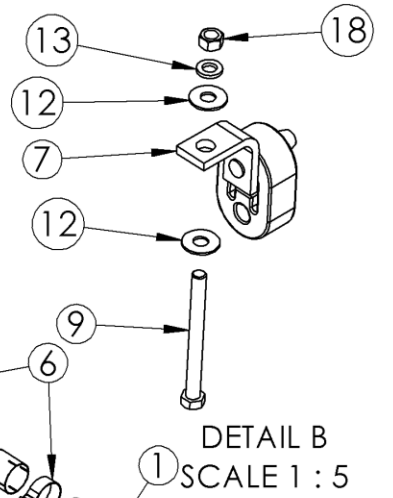
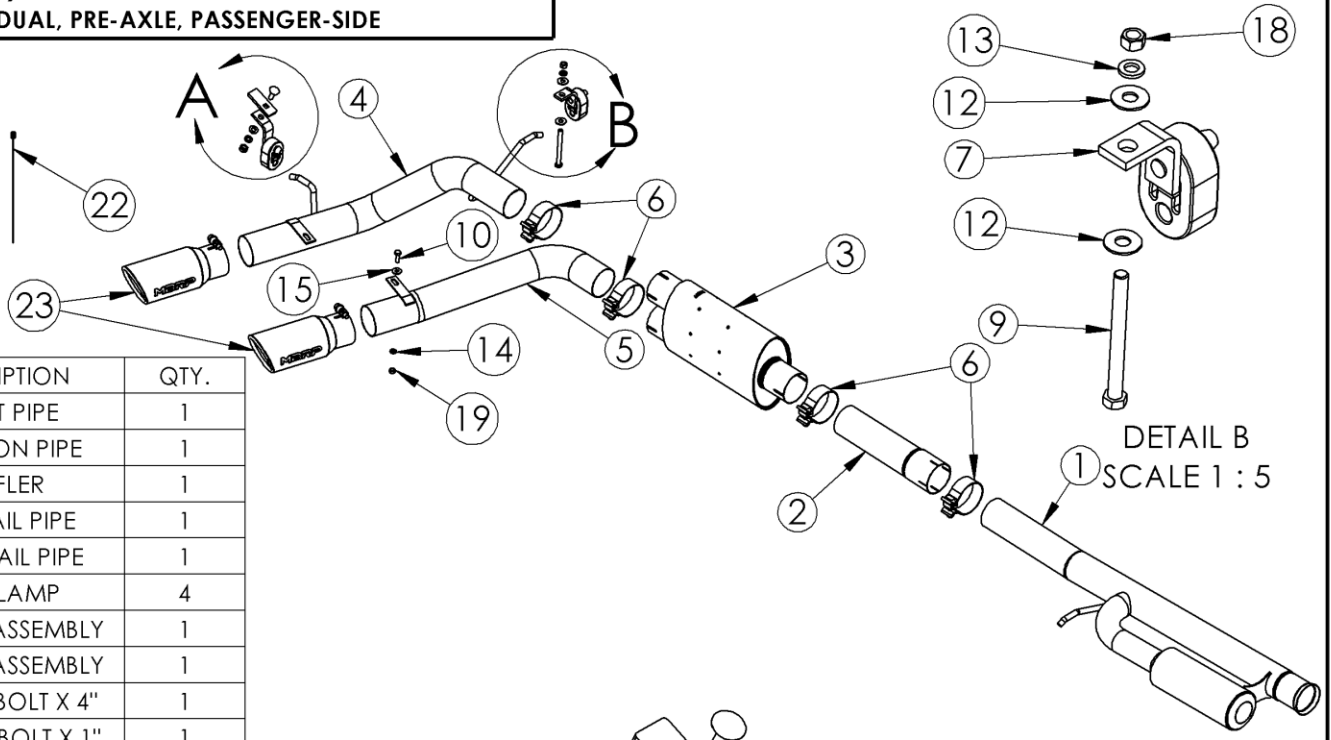


S5092

2019-UP CHEV/GMC 1500 SILVERADO / SIERRA, 4.3L, 5.3L,
 2022 CHEV/GMC, 1500 SILVERADO/SIERRA, 5.3L, LTD/LIMITED
 EXCL. REGULAR CAB SHORT BOX & 2WD CREW CAB 6.5' BOX
 (2 PC DRIVESHAFT)
 CAT-BACK, 3.0", DUAL, PRE-AXLE, PASSENGER-SIDE



| ITEM | DESCRIPTION | QTY. |
|------|---------------------|------|
| 1 | FRONT PIPE | 1 |
| 2 | EXTENSION PIPE | 1 |
| 3 | MUFFLER | 1 |
| 4 | REAR TAIL PIPE | 1 |
| 5 | FRONT TAIL PIPE | 1 |
| 6 | 3.0" CLAMP | 4 |
| 7 | HANGER ASSEMBLY | 1 |
| 8 | HANGER ASSEMBLY | 1 |
| 9 | 3/8" HEX BOLT X 4" | 1 |
| 10 | 5/16" HEX BOLT X 1" | 1 |
| 11 | M10 CARRIAGE BOLT | 1 |
| 12 | 3/8" FLAT WASHER | 2 |
| 13 | 3/8" LOCK WASHER | 1 |
| 14 | 5/16" LOCK WASHER | 1 |
| 15 | 5/16" FLAT WASHER | 1 |
| 16 | M10 FLAT WASHER | 1 |
| 17 | M10 LOCK WASHER | 1 |
| 18 | 3/8" HEX NUT | 1 |
| 19 | 5/16" HEX NUT | 1 |
| 20 | M10 HEX NUT | 1 |
| 21 | BOLT SPACER | 1 |
| 22 | BOLT LEADER | 1 |
| 23 | EXHAUST TIP | 2 |

PLEASE READ BEFORE STARTING INSTALLATION

While MBRP has made every effort to ensure that all components of this system are of superior quality and properly packaged, it is the installer's responsibility to ensure the following before removal of the factory exhaust:

- that ALL components shown above are present.
- that ALL mating components fit together.
- that there are no damaged components.
- that the system you have purchased is appropriate for your vehicle year, model and configuration.
- that the system will not interfere with any modifications previously installed or planned.
- that you have read and understand these instructions.

If you have any questions or are uncertain about any aspect of the installation of this system to your vehicle please contact your dealer before commencing installation.

MBRP

Removal of Stock System



Figure 1

1. Apply penetrating lubricant liberally to all exhaust fasteners, hangers and rubber insulators. Lower the spare tire and remove the heat shield.

Refer to Figure 1.

2. Remove the clamp after the catalytic converter and save the clamp for the installation.

Refer to Figure 2.

3. Remove the hangers from the rubber insulators and remove the exhaust from the vehicle. The rear suspension will need to be relaxed to allow the factory exhaust to be removed without cutting it.

Installation of MBRP Performance Exhaust:

1. The **Front Pipe** will not need to be cut for the Crew Cab short bed or the Crew Cab long bed. For the Regular Cab long box 7.5" will need to be cut off the **Front Pipe**. Refer to **Figure 4**.

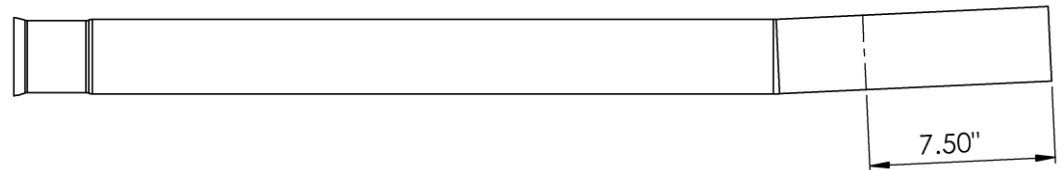


Figure 4

2. Once cut to the correct length, using the factory clamp removed in Step 2, loosely attach the **Front Pipe** onto the catalytic converter and into the rubber insulator.

Refer to Figure 3.

3. For Crew Cab Long Box vehicles, using a **3" Clamp** install the **Extension Pipe** onto the **Front Pipe**.

4. Using the **3" Clamp**, loosely install the **Muffler** onto the **Front Pipe** or **Extension Pipe** (if used) with one outlet directly above the other.

Refer to Figure 5.

5. Slide the **3/8" Hex Bolt x 4"** onto the **3/8" Flat Washer** and the 90 degree bent **Hanger Assembly** (item 8). Slide them through the hole in the frame above the muffler and secure it with the **3/8" Lock Washer** and **3/8" Nut**.

Refer to Figure 6.



Figure 2

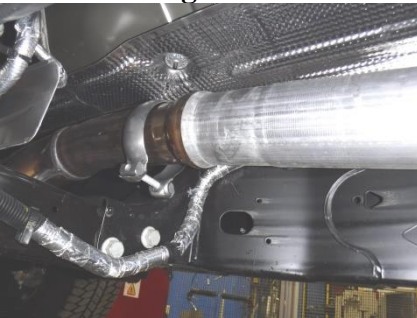


Figure 3

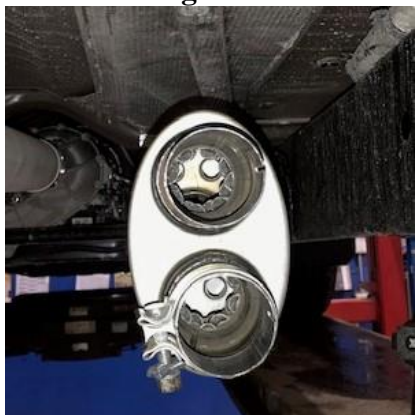


Figure 5

MBRP



Figure 6

6. Thread the **M10 Carriage Bolt** into the **Bolt Leader**. Fish the **Bolt Leader** through the **Bolt Spacer** and the oval hole in the frame side (Arrow Figure 7) and oval hole in the bottom of the frame. Pull the **M10 Carriage Bolt** threads through the oval hole in the bottom of the frame. Install the remaining **Hanger Assembly** onto the **M10 Carriage Bolt** using the **M10 Flat Washer, M10 Lock Washer** and **M10 Hex Nut**. Refer to **Figure 7**.

7. Using a **3" Clamp**, install the **Front Tail Pipe** into the **Muffler**.

8. Using a **3" Clamp**, install the **Rear Tail Pipe** into the **Muffler** and the two **Hanger Assemblies**, keeping the mounting tab below the **Front Tail Pipe** mounting tab and attaching with the supplied **5/16" Bolt, 5/16 Lock & Flat Washer** and **5/16 Nut**. Refer to **Figure 8** and **Page 1**.

9. Install the **Exhaust Tips** and adjust to your liking. Refer to **Figure 8**.

10. Re-install the heat shield and raise the spare tire into position.

11. Ensure the **Front Pipe Hanger** is level where it passes through the rubber insulator. Carefully align the system and tips. Align the edge of each band clamp with the edge of the joint it is connecting. Tighten all hardware and clamps, starting at the front and working rearward to secure the system. Check along the full length of the exhaust system to ensure there is adequate clearance for fuel lines, vent lines, brake lines, frame, bodywork, suspension and any wiring, etc. If there is any interference detected, relocate or adjust to provide adequate clearance. Ensure all clamp connections are secure and components are unable to rotate or slide. Band clamps require approximately 45 lb-ft (60 N-m) of torque. Verify clearances, system security and band clamp torque after 30-60 miles (50-100 km) of driving.



Figure 7



Figure 8



Congratulations! You are ready to begin experiencing the improved power, sound and driving experience of your **MBRP** Performance Exhaust. We know you will enjoy your purchase!