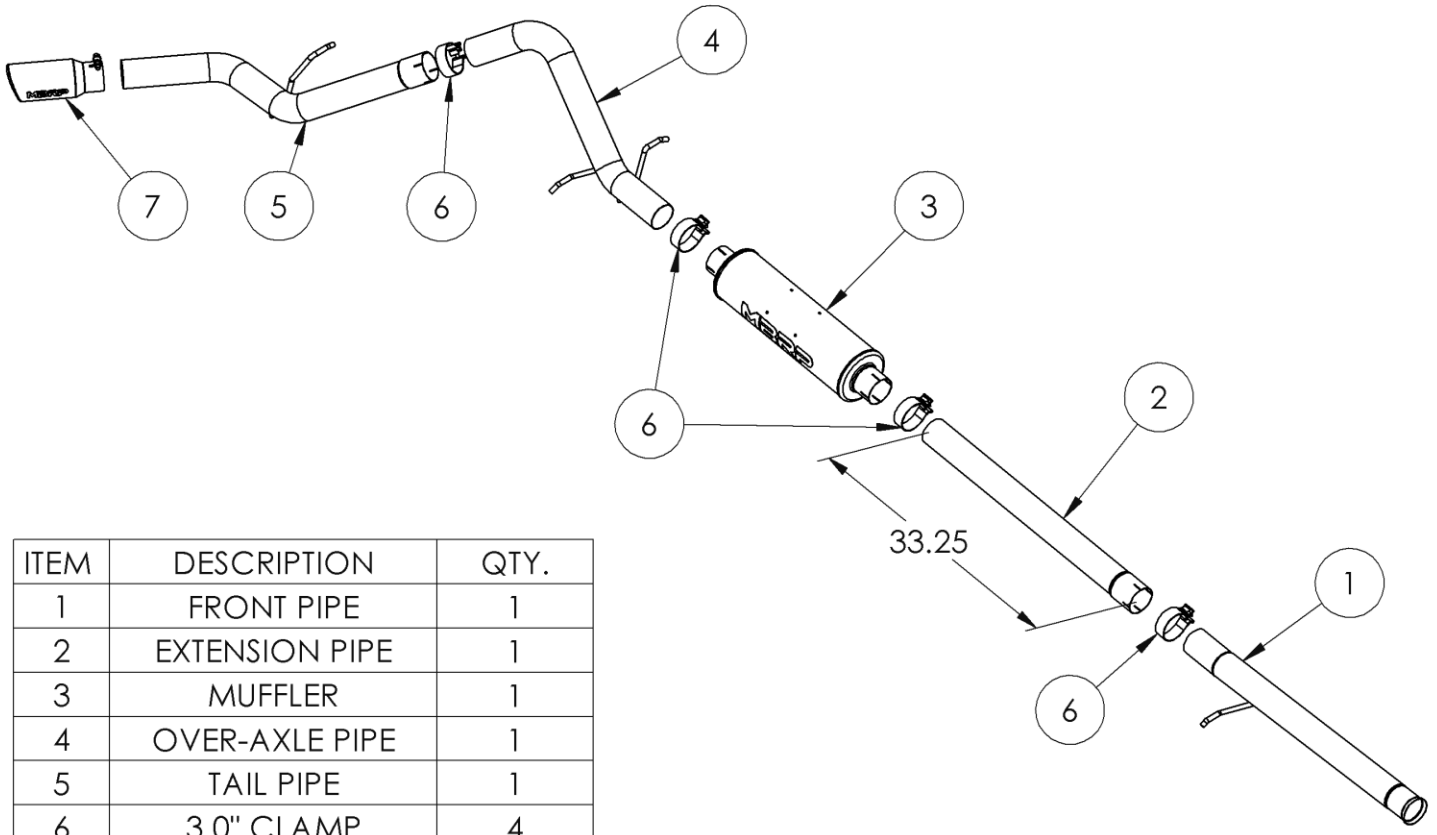


S5087

2019-UP CHEV/GMC 1500 SILVERADO/SIERRA, 4.3L, 5.3L,
2022 CHEV/GMC, 1500 SILVERADO/SIERRA, 5.3L, LTD/LIMITED,
EXCL. 2WD CREW CAB 6.5' BOX (2 PC DRIVESHAFT),
CAT-BACK, 3.0", SINGLE

MBRP®



ITEM	DESCRIPTION	QTY.
1	FRONT PIPE	1
2	EXTENSION PIPE	1
3	MUFFLER	1
4	OVER-AXLE PIPE	1
5	TAIL PIPE	1
6	3.0" CLAMP	4
7	EXHAUST TIP	1

PLEASE READ BEFORE STARTING INSTALLATION

While MBRP has made every effort to ensure that all components of this system are of superior quality and properly packaged, it is the installer's responsibility to ensure the following before removal of the factory exhaust:

- that ALL components shown above are present.
- that ALL mating components fit together.
- that there are no damaged components.
- that the system you have purchased is appropriate for your vehicle year, model and configuration.
- that the system will not interfere with any modifications previously installed or planned.
- that you have read and understand these instructions.

If you have any questions or are uncertain about any aspect of the installation of this system to your vehicle please contact your dealer before commencing installation.

MBRP®

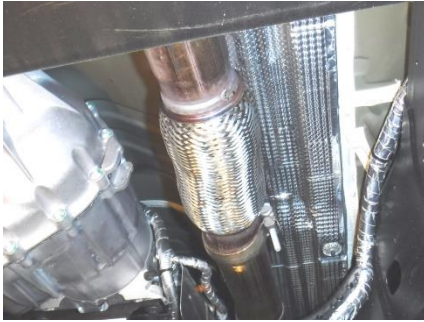


Figure 1

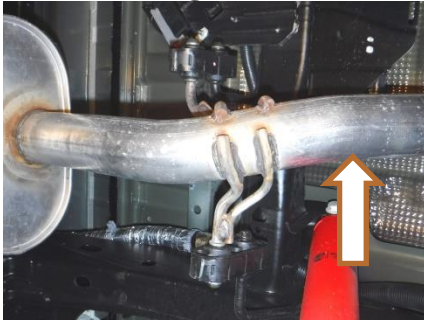


Figure 2

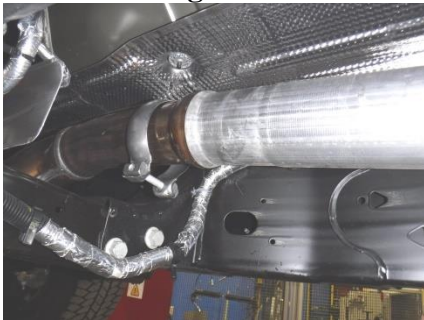


Figure 3



Figure 5



Figure 6

Removal of Stock System

1. Apply penetrating lubricant liberally to all exhaust fasteners, hangers and rubber insulators.

2. Remove the clamp after the catalytic converter and save the clamp for the installation.

Refer to Figure 1.

3. Remove the hangers from the rubber insulators and remove the exhaust from the vehicle. The tail pipe can be cut to ease clearing the rear axle.

Refer to Figure 2.

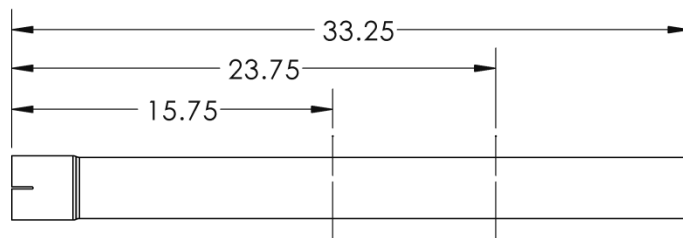
Installation of MBRP Performance Exhaust

1. Using the factory clamp removed in Step 2, loosely attach the **Front Pipe** onto the catalytic converter and into the rubber insulator.

Refer to Figure 3.

2. Determine the length of the **Extension Pipe** (if required) and cut to length.

Refer to Figure 4 (below).



EXTENSION PIPE

WHEELBASE	EXTENSION PIPE LENGTH
126.4 RC 6'6" BOX	NOT USED
139.5 RC 8' BOX	15.75"
147.4 EC 6'6" BOX / CC 5'8" BOX	23.75"
156.9 CC 6'6" BOX	33.25" (NO CUT)

Figure 4.

3. Using a **3" Clamp**, loosely install the **Extension Pipe**.

Refer to Figure 5.

4. Using a **3" Clamp**, loosely install the **Muffler** onto the **Extension Pipe**.

5. Using a **3" Clamp**, loosely install the **Over-Axle Pipe** into the **Muffler** and into the factory insulators.

Refer to Figure 6.

MBRP®



Figure 7



Figure 8

6. Using a **3" Clamp**, loosely install the **Tail Pipe** onto the **Over-Axle Pipe** and into the factory rubber isolator.

Refer to Figure 7.

7. Install the **Tip**, and adjust to your liking.

Refer to Figure 8.

8. Ensure the **Front Pipe Hanger** is level where it passes through the rubber insulator. Carefully align the system and tip. Align the edge of each band clamp with the edge of the joint it is connecting. Tighten all hardware and clamps, starting at the front and working rearward to secure the system. Check along the full length of the exhaust system to ensure there is adequate clearance for fuel lines, vent lines, brake lines, frame, bodywork, suspension and any wiring, etc. If there is any interference detected, relocate or adjust to provide adequate clearance. Ensure all clamp connections are secure and components are unable to rotate or slide. Band clamps require approximately 45 lb-ft (60 N-m) of torque. Verify clearances, system security and band clamp torque after 30-60 miles (50-100 km) of driving.



Congratulations! You are ready to begin experiencing the improved power, sound and driving experience of your **MBRP** Performance Exhaust. We know you will enjoy your purchase!