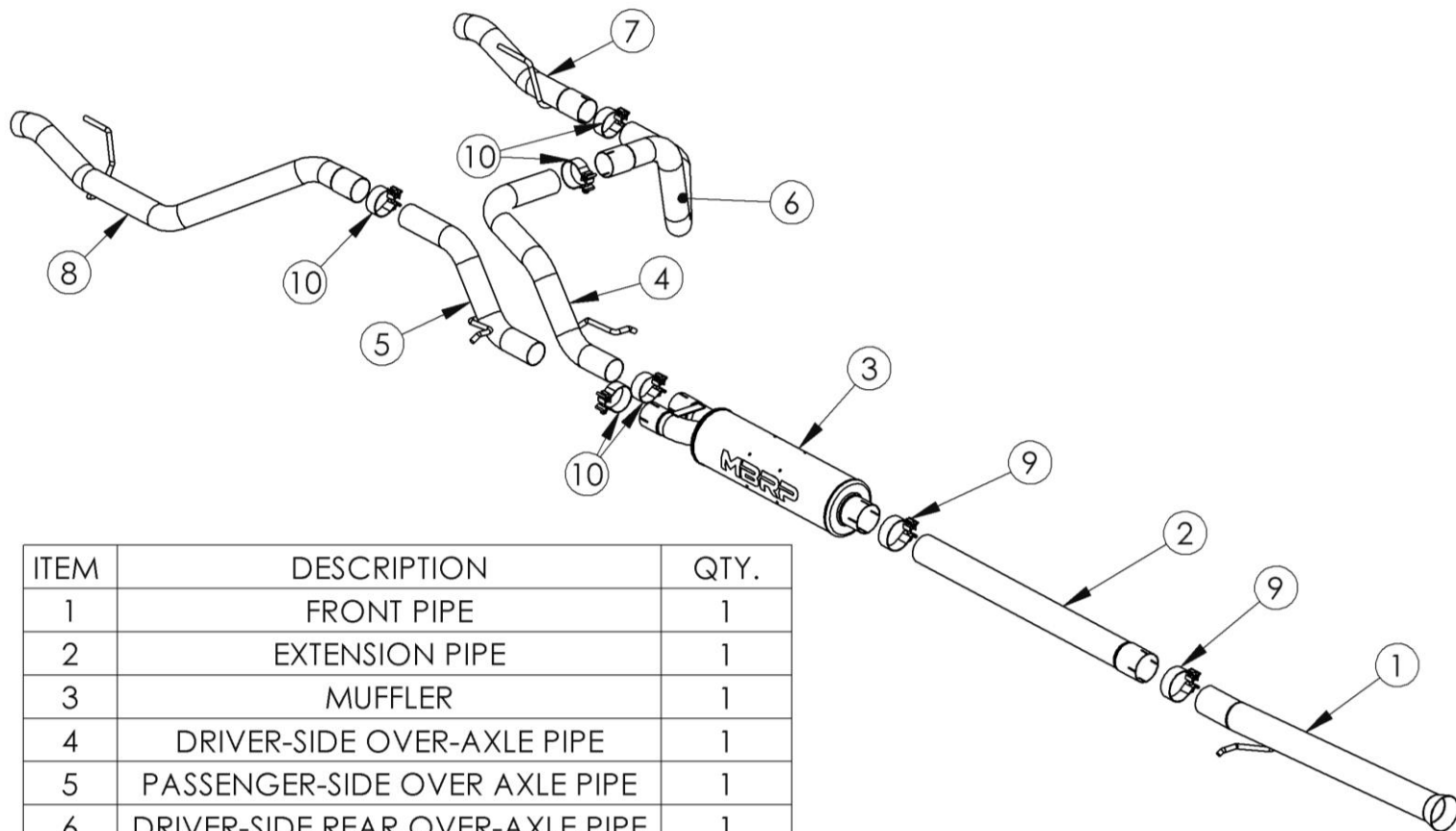


S5065

2019-UP CHEV/GMC 1500, 6.2L,
2022 CHEV/GMC, 1500 SILVERADO/SIERRA, 6.2L, LTD/LIMITED,
EXCL. 2WD CREW CAB 6.5' BOX (2 PC DRIVESHAFT),
CAT-BACK, 3.0" DUAL SPLIT REAR, USES FACTORY BEZEL

MBRP®



ITEM	DESCRIPTION	QTY.
1	FRONT PIPE	1
2	EXTENSION PIPE	1
3	MUFFLER	1
4	DRIVER-SIDE OVER-AXLE PIPE	1
5	PASSENGER-SIDE OVER AXLE PIPE	1
6	DRIVER-SIDE REAR OVER-AXLE PIPE	1
7	DRIVER-SIDE TAIL PIPE	1
8	PASSENGER-SIDE TAIL PIPE	1
9	3.0" CLAMP	2
10	2.5" CLAMP	5

PLEASE READ BEFORE STARTING INSTALLATION

While MBRP has made every effort to ensure that all components of this system are of superior quality and properly packaged, it is the installer's responsibility to ensure the following before removal of the factory exhaust:

- that ALL components shown above are present.
- that ALL mating components fit together.
- that there are no damaged components.
- that the system you have purchased is appropriate for your vehicle year, model and configuration.
- that the system will not interfere with any modifications previously installed or planned.
- that you have read and understand these instructions.

If you have any questions or are uncertain about any aspect of the installation of this system to your vehicle please contact your dealer before commencing installation.

MBRP

Removal of Stock System

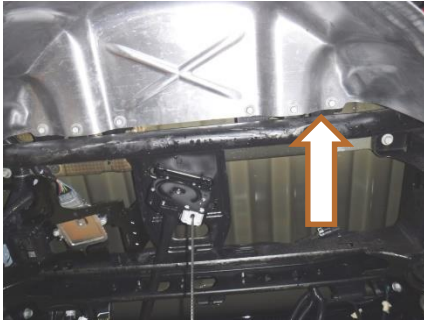


Figure 1

1. Apply penetrating lubricant liberally to all exhaust fasteners, hangers and rubber insulators. Lower the spare tire and remove the heat shield.
Refer to Figure 1.



Figure 2

2. Remove the two nuts securing the factory driver-side tail pipe and remove the driver-side tailpipe.
Refer to Figure 2.

3. Remove the clamp after the catalytic converter and save the clamp for the installation.
Refer to Figure 3.

4. Remove the hangers from the rubber insulators and remove the exhaust from the vehicle. The rear suspension will need to be relaxed to allow the factory exhaust to be removed without cutting it. You may need to remove the rear passenger-side lower shock bolt to allow the suspension to droop enough. Support the axle before removing the shock bolt. Work safely.



Figure 3

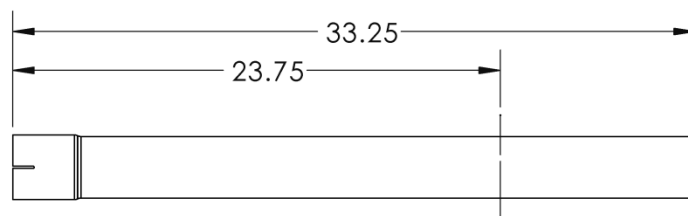
Installation of MBRP Performance Exhaust

1. Using the factory clamp removed in Step 3, loosely attach the **Front Pipe** onto the catalytic converter and into the rubber insulator.
Refer to Figure 4.

2. Determine the length of the **Extension Pipe** and cut to length.
Refer to Figure 5 (below).



Figure 4



EXTENSION PIPE

WHEELBASE	EXTENSION PIPE LENGTH
147.4 EC 6'6" BOX / CC 5'8" BOX	23.75"
156.9 CC 6'6" BOX	33.25" (NO CUT)

Figure 5.

3. Using a 3" Clamp, loosely install the **Extension Pipe**.
Refer to Figure 6.



Figure 6

4. Using a 3" Clamp, loosely install the **Muffler** onto the **Extension Pipe**.

MBRP



Figure 7



Figure 8



Figure 9



Figure 10

5. Using a **2.5" Clamp**, loosely install the **Passenger-Side Over-Axle Pipe** into the **Muffler** and into the factory insulator.

Refer to Figure 7.

6. Using a **2.5" Clamp**, loosely install the **Driver-Side Over-Axle Pipe** into the **Muffler** and into the factory insulator.

Refer to Figure 8.

7. Using a **2.5" Clamp**, loosely install the **Driver-Side Rear Over-Axle Pipe** into the **Driver-Side Over-Axle Pipe**. Orient the **2.5" Clamp** with the bolt on top, nut facing forward, so it will not interfere with the heat shield once re-installed.

Refer to Figure 9.

8. Place the **Driver-Side Tail Pipe** into the factory exhaust bezel and factory rubber isolator. Using a **2.5" Clamp**, loosely install the **Driver-Side Tail Pipe** onto the **Driver-Side Rear Over-Axle Pipe**.

9. Place the **Passenger-Side Tail Pipe** into the factory exhaust bezel and factory rubber isolator. Loosely install the **Passenger-Side Tail Pipe** onto the **Passenger-Side Over-Axle Pipe** using a **2.5" Clamp**. You may need to remove the factory rubber insulator to clear the pipe joint.

Refer to Figure 10.

10. Re-install the heat shield and raise the spare tire into position.

11. Ensure the **Front Pipe Hanger** is level where it passes through the rubber insulator. Align the edge of each band clamp with the edge of the joint it is connecting. Tighten all hardware and clamps, starting at the front and working rearward to secure the system. Check along the full length of the exhaust system to ensure there is adequate clearance for fuel lines, vent lines, brake lines, frame, bodywork, suspension, and any wiring, etc. If there is any interference detected, relocate, or adjust to provide adequate clearance. Ensure all clamp connections are secure and components are unable to rotate or slide. Band clamps require approximately 45 lb-ft (60 N-m) of torque. Verify clearances, system security and band clamp torque after 30-60 miles (50-100 km) of driving.

Congratulations! You are ready to begin experiencing the improved power, sound and driving experience of your **MBRP** Performance Exhaust.

We know you will enjoy your purchase!