



21-UP BRONCO TRAIL SERIES ACC RELOCATION KIT

DOCUMENT: INST_45210_REVA • UPDATED: AUG 2022

Thank you for purchasing this ICON Vehicle Dynamics product. Please read through this entire document before proceeding with installation. If you are not confident in your mechanical skills, please seek the help of a professional to perform the installation. Check your packages immediately upon arrival to ensure that everything listed is included, and to check for damage during shipping. If anything is missing or damaged, or if you need technical assistance with any aspect of this installation, call (951) 689-ICON as soon as possible.



APPLICATION

These installation instructions apply to the following products:

45210 21-UP FORD BRONCO TRAIL SERIES ACC RELOCATION KIT

COMPONENTS INCLUDED

- (1) 21- UP FORD BRONCO ACC MESH
- (1) 21- UP FORD BRONCO ACC BKT
- (6) 21- UP FORD BRONCO ACC SPACER
- (1) 21- UP FORD BRONCO ACC GUARD

HARDWARE INCLUDED

- (4) M6-1.00 X 20mm SS Hex Head Cap Screw
- (3) M10-1.5 X 30mm SS Button Head Cap Screw
- (3) M10 SS Flat Washer
- (3) M10-1.5 SS Nylon Insert Lock Nut

TOOLS REQUIRED

- 8mm, 10mm, 15mm & 17mm sockets and ratchet
- 4mm & 6mm hex keys or driver bits
- Body panel removal tool or small pry bar
- Flat head screwdriver

TECH NOTES

NOTE: These installation instructions are based on a clean installation on to a stock vehicle. Previously modified vehicles may require additional steps.

ACC Relocation Kit Installation for ICON 45203 21-UP FORD BRONCO TRAIL SERIES FRONT BUMPER only

IMPORTANT NOTICES - PLEASE READ FIRST

- ✓ **READ ALL INSTRUCTIONS THOROUGHLY FROM START TO FINISH BEFORE BEGINNING INSTALLATION! IF THESE INSTRUCTIONS ARE NOT PROPERLY FOLLOWED SEVERE FRAME, SUSPENSION OR TIRE DAMAGE MAY RESULT TO THE VEHICLE!**
- ✓ **ICON VEHICLE DYNAMICS RECOMMENDS ALL INSTALLATION TO BE PERFORMED BY A PROFESSIONAL SHOP/SERVICE TECHNICIAN. PRODUCT FAILURE CAUSED BY IMPROPER INSTALLATION WILL NOT BE COVERED UNDER ICON'S WARRANTY POLICY.**

BEFORE YOU BEGIN

If you are installing this kit in conjunction with the **ICON 45203 21-UP FORD BRONCO TRAIL SERIES FRONT BUMPER**, start after the factory bumper removal. If you are adding this kit after the **ICON 45203 21-UP FORD BRONCO TRAIL SERIES FRONT BUMPER** has already been installed, the bumper will need to be removed from the vehicle prior to beginning. Reference bumper installation instructions to remove bumper.

1. Ensure the vehicle is placed on a flat, level surface with the transmission in PARK (or first gear for vehicles equipped with a manual transmission), the tires chocked, and the emergency brake ON. Wear safety glasses from this point forward.
2. Open hood and disconnect the negative battery terminal.

DISCONNECT THE ACC MODULE

3. Once the front bumper has been removed, access the ACC module by removing the plastic guard held in place by clips (no tool required).
4. Use an 8mm socket to remove the three (3) bolts holding down the ACC mounting bracket. Disconnect the ACC module from the wire harness. Set the ACC module and bracket aside at this point.



FIG. 1



FIG. 2



FIG. 7



FIG. 8



FIG. 3

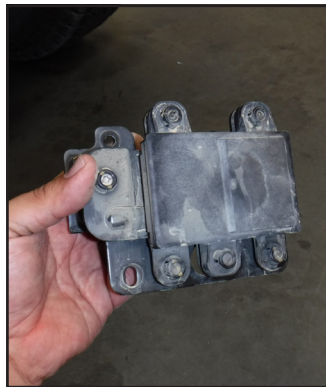


FIG. 4

- 7. Use a small pry bar or a flat head screwdriver to remove the series of clips holding the ACC wire harness in place and disconnect the harness from the shutter motor. Reroute and reconnect the wire harness from the top of the intercooler.
- 8. Unwrap the wiring harness far enough to separate the ACC Module wires from the Intercooler Shutter Motor wires. Separate the wires to a length of at least 15 inches from the ACC Module plug. Use electrical tape or plastic wire loom to re-wrap both sections of the wiring harness. Use caution to avoid damaging the wiring in the process.

INTERCOOLER SHROUD REMOVAL

- 5. On top of the driver side frame rail, use a pry tool or a flat head screwdriver to remove the one (1) clip holding the ACC wire harness in place. Disconnect the plug by pressing on the back clip and pulling out



FIG. 5



FIG. 6

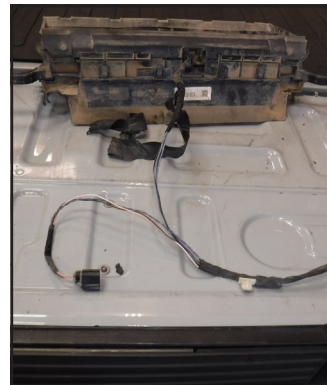


FIG. 9

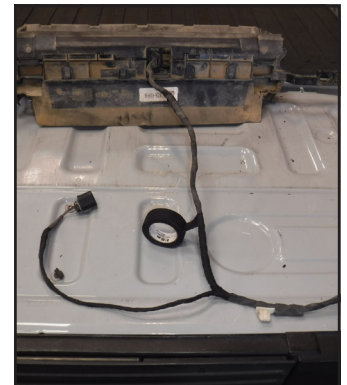


FIG. 10

- 6. Use an 8mm socket and wrench to remove the four (4) bolts holding intercooler shroud in place [two (2) on each side]. From either side of the vehicle, remove the top bolts using an 8mm wrench and 8mm socket to remove the bolts on the front of the intercooler shroud. Once released place the shroud on a table or flat elevated surface.

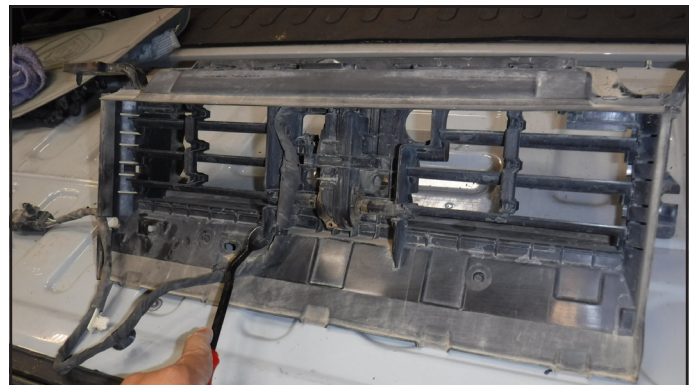


FIG. 11

- 9. Reinstall and reconnect the intercooler shroud, working backwards through the previous steps for



removing the shroud. Ensure the ACC wire harness is placed loosely on top of the intercooler shroud.

- 10. Mount the ICON 45203 21-UP FORD BRONCO TRAIL SERIES FRONT BUMPER on to the Bronco, following the instructions that came with the bumper. If lights are being installed with the bumper, place the mesh in opening to have an estimation on where the ACC Bracket will mount.

ASSEMBLE RELOCATION BRACKET

- 11. Disassemble the ACC from the ACC mounding mounting bracket by using a pry tool or a flat head screwdriver. Once module has been removed, use a flat head screwdriver remove the plastic retainer clips from the back of the module. The plastic retainers will not be reused, it's ok if they get damaged in the removal process.

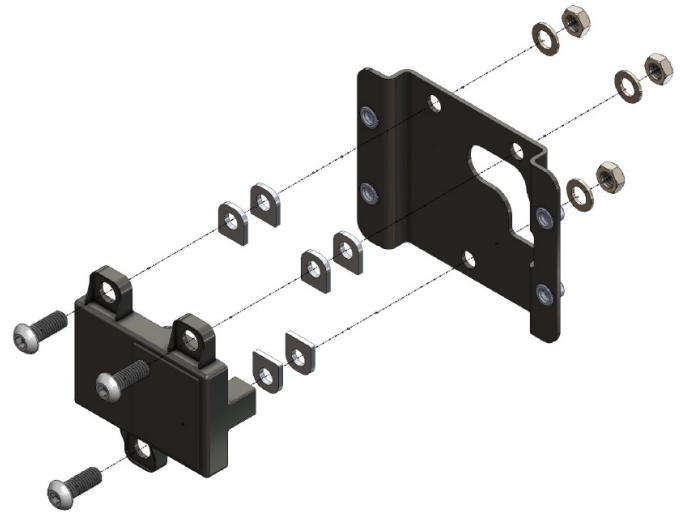


FIG. 14



FIG. 12



FIG. 13

- 12. Assemble the ACC Module to the Bronco ACC Relocation Bracket according to the following diagrams, using the supplied three (3) M10-1.5 X 30MM Button Head Cap Screws with M10 Flat Washers and M10-1.5 Nylon Insert Lock Nuts as shown. Place two (2) 21- UP FORD BRONCO ACC SPACERS in between the ACC Module and the Bracket, at each of the three bolt locations. Use a 17mm socket or wrench and a 6mm hex key to tighten the fasteners.



FIG. 15

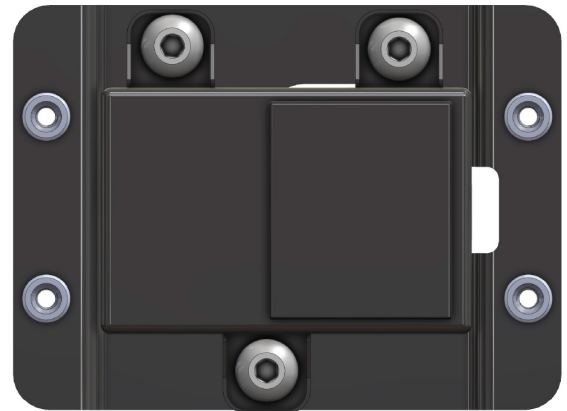


FIG. 16

- 13. Remove the both mesh inserts (upper and lower) from the bumper if installed. Set the upper mesh insert aside, as it will not be re-used.



14. Through the bottom opening on the bumper, slip and maneuver the BRONCO ACC MESH into position into the top opening. Use a 4mm hex key and the supplied M6-1.00 x 20MM Button Head Cap Screws to fasten the mesh panel to the bumper.
15. Route the ACC wire harness to the area at the back of the ACC Mesh panel. Ensure that the harness is free from snags and tension. It may be necessary to unravel and re-wrap more length of the wiring harness.
16. Insert the assembled ACC module and bracket through the lower hole in the bumper and place it against the back side of the upper ACC Mesh panel. Place the ACC GUARD against the outside surface of the mesh panel, then secure it and the ACC module assembly to the mesh panel with the four (4) supplied M6-1.00 X 20MM Button Head cap screws. Tighten the fasteners with a 4mm hex key.

*Congratulations! Your installation is complete.
RETORQUE ALL NUTS, BOLTS AND LUGS AFTER 100 MILES AND PERIODICALLY THEREAFTER.*

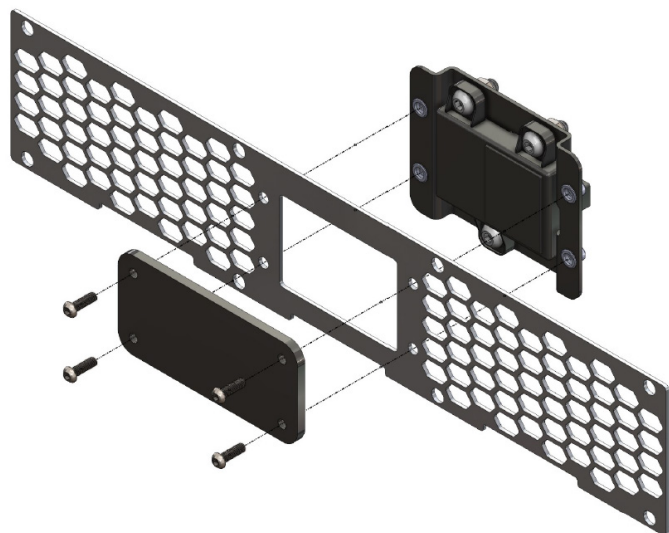


FIG. 17

17. Plug the ACC Wiring harness into the ACC module. Ensure that the wiring harness is secured in place and not lying against any chafe or wear points.
18. Maneuver the bottom mesh panel through the lower hole in the bumper and into place. Use the supplied M6-1.00 x 20MM Button Head Bolts that came with the ICON 45203 21-UP FORD BRONCO TRAIL SERIES FRONT BUMPER to secure the mesh panel to the bumper. Tighten with a 4mm hex key.
19. Reconnect the negative battery terminal and close the hood
20. VERIFY ALL FASTENERS ARE PROPERLY TORQUED BEFORE DRIVING VEHICLE.



LIMITED LIFETIME WARRANTY

ICON Vehicle Dynamics warrants to the original retail purchaser who owns the vehicle on which the product was originally installed. ICON Vehicle Dynamics does not warrant the product for finish, alterations, modifications and/or installation contrary to ICON Vehicle Dynamics instructions. ICON Vehicle Dynamics products are not designed, nor are they intended to be installed on vehicles used in race applications, for racing purposes or for similar activities. (A "race" is defined as any contest between two or more vehicles, or a contest of one or more vehicles against the clock, whether or not such contest is for a prize). This warranty does not include coverage for police or taxi vehicles, race vehicles, or vehicles used for government or commercial purposes. Also excluded from this warranty are sales outside of the United States of America and Canada.

ICON Vehicle Dynamics' obligation under this warranty is limited to the repair or replacement, at ICON Vehicle Dynamics' discretion, of the defective product. Any and all costs of removal, installation or re-installation, freight charges and incidental or consequential damages are expressly excluded from this warranty. Items that are subject to wear are not considered defective when worn and are not covered.

ICON Vehicle Dynamics components must be installed as a complete kit as shown in our current application guide. Any substitutions or exemptions of required components will immediately void the warranty. Some finish damage may happen to parts during shipping and is not covered under warranty.

This warranty is expressly in lieu of all other warranties expressed or implied. This warranty shall not apply to any product that has been improperly installed, modified or customized subject to accident, negligence, abuse or misuse.



ICON VEHICLE DYNAMICS®
PERFORMANCE SUSPENSION SYSTEMS AND SHOCK ABSORBERS

7929 Lincoln Ave. Riverside, CA 92504
Phone: 951.689.ICON Fax: 951.689.1016
www.iconvehicledynamics.com



FOLLOW US ON FACEBOOK!

