



# 21-UP BRONCO PRO SERIES REAR BUMPER

DOCUMENT: INST\_45202\_REVA • UPDATED: JAN 2023

Thank you for purchasing this ICON Vehicle Dynamics product. Please read through this entire document before proceeding with installation. If you are not confident in your mechanical skills, please seek the help of a professional to perform the installation. Check your packages immediately upon arrival to ensure that everything listed is included, and to check for damage during shipping. If anything is missing or damaged, or if you need technical assistance with any aspect of this installation, call (951) 689-ICON as soon as possible.

**TECH NOTES**

**NOTE:** Works with or without factory parking sensors.

**NOTE:** Compatible with factory tow hitch

**INSTALL TIME:** 2-3 HOURS

**APPLICATION**

These installation instructions apply to the following products:

**45202 21-UP FORD BRONCO PRO SERIES REAR BUMPER**

**COMPONENTS INCLUDED**

- (1) 2021 FORD BRONCO REAR BUMPER
- (2) 21-UP BRONCO REAR BUMPER MESH
- (1) 21-UP BRONCO REAR BUMPER LICENSE PLT HOLDER

**HARDWARE INCLUDED**

- (2) 1/2-13 NYLOCK NUT GR8 YZINC
- (2) 1/2 SAE FLAT WASHER GR8 YZINC
- (2) 3/8-16 X 1.00 HHCS GR8 YZINC
- (2) 3/8-16 NYLOCK NUT GR8 YZINC
- (4) 3/8 SAE FLAT WASHER GR8 YZINC
- (8) M6-1.00 X 20MM BHCS SS
- (2) 2021 FORD BRONCO REAR BUMPER BOLT PLATE
- (2) BUMPER LICENSE PLATE RETAINER
- (1) BUMPER SENSOR MOUNT (4 PACK)
- (1) LED LICENSE PLATE BOLT
- (2) 22-18GA INSULATED BUTT SPLICE
- (8) CABLE TIE HOLDER, ADHESIVE MOUNT
- (8) 5-1/2 X 0.14 NYLON CABLE TIE, BLACK

**TOOLS REQUIRED**

- Small flat blade screwdriver
- Body panel clip removal tool
- Side cutter & flush cutter
- Torque wrench
- 13mm & 18mm sockets and ratchet
- 4mm hex key
- 9/16" & 3/4" sockets and ratchet

**IMPORTANT NOTICES - PLEASE READ FIRST**

- ✓ **READ ALL INSTRUCTIONS THOROUGHLY FROM START TO FINISH BEFORE BEGINNING INSTALLATION! IF THESE INSTRUCTIONS ARE NOT PROPERLY FOLLOWED SEVERE FRAME, SUSPENSION OR TIRE DAMAGE MAY RESULT TO THE VEHICLE!**
- ✓ **ICON VEHICLE DYNAMICS RECOMMENDS ALL INSTALLATION TO BE PERFORMED BY A PROFESSIONAL SHOP/SERVICE TECHNICIAN. PRODUCT FAILURE CAUSED BY IMPROPER INSTALLATION WILL NOT BE COVERED UNDER ICON'S WARRANTY POLICY.**

**INSTALLATION INSTRUCTIONS**

1. Ensure the vehicle is placed on a flat, level surface with the transmission in PARK (or first gear for vehicles equipped with a manual transmission), the tires chocked, and the emergency brake ON. Wear safety glasses from this point forward.
2. Start by removing the spare tire.
3. Disconnect the wiring harness from both sides, near the outer edge of the bumper, in the fender well, if applicable. Models without backup sensors may only have 1 plug. Models with backup sensors have 1 plug per side.



FIG. 1

- 4. Remove the one 13mm bolt from each side, located on the body mount. These bolts will not be reused.



FIG. 2

- 5. Remove the two 18mm bolts from the underside of the frame rails. Four total. These bolts will get reused.



FIG. 3

- 6. With the help of a buddy, remove the bumper. Make sure none of the factory wiring gets snagged upon removal.
- 7. Place the factory bumper face down on cardboard or a moving blanket to remove the factory wiring harness and sensors (if applicable).

- 8. If the vehicle is equipped with the steel bumper and parking sensors, the sensors will need to be removed from the bumper using the following procedure.

- A. Remove the five 13mm bolts holding the center bracket in place.



FIG. 4

- B. Remove the five plastic retaining clips holding the harness to the center bracket.



FIG. 5



FIG. 6

- C. Remove the nine remaining clips from the brackets. The remaining brackets can be removed to make this easier.

- D. Disconnect the electrical connectors from the sensors and license plate light. Note the license plate light, as the plug is the same as the back up sensors. If plugged in incorrectly, none of the parking sensors will work (front or rear). A small screwdriver or pick can be used to aid in removing the electrical connector. Remove the harness from the bumper, be sure to note with side is passenger and driver.



FIG. 7



FIG. 8

E. Remove the sensors from the housing in the bumper. Spread the clips on either side of the sensor and pull the sensor out. The housing can stay in the bumper, it will not be reused.



FIG. 9



FIG. 10

9. Place the new Icon Impact bumper face down on a moving blanket to prevent scratches.
10. ICON has provided four (4) Universal Sensor Bumper Mounts to be installed in the circular cutout locations. Install them according to the instructions for part number: 295300, Installing the universal sensor mounts.
11. Route the factory wiring harness and secure it using the supplied square sticky pads and zip ties. Cut zip ties flush when finished. Clean the bumper where the sticky pads will be placed using denatured alcohol.

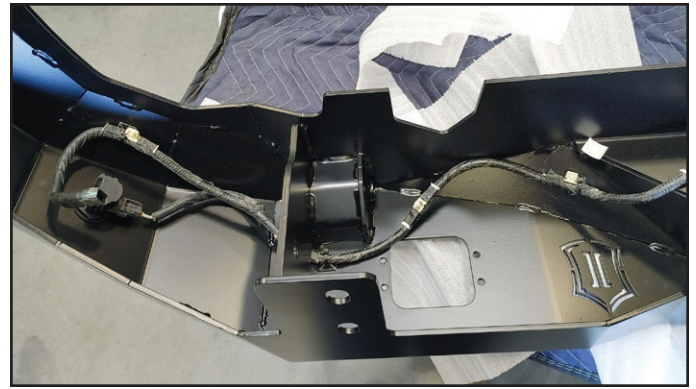


FIG. 11



FIG. 12



FIG. 13

12. Install any lighting you may have, now. Wire and route along the factory harness. If not using a light, install the mesh light cover onto the bumper using the supplied M6-1.00 stainless steel screws.

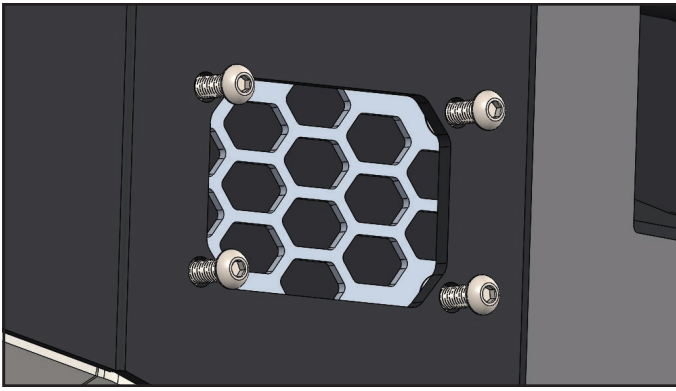


FIG. 14

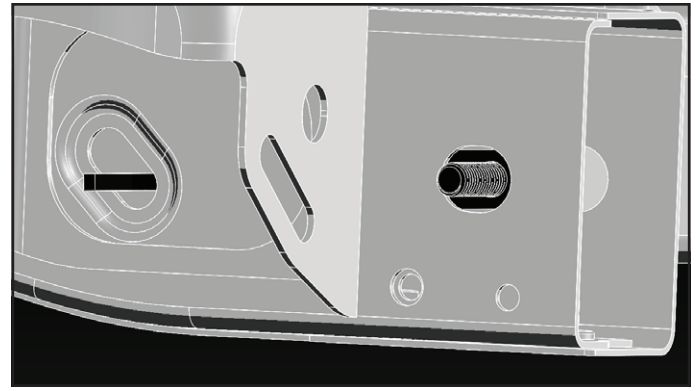


FIG. 17

- 13. Install the license plate mount and light now using the 3/8" hardware supplied, if applicable.

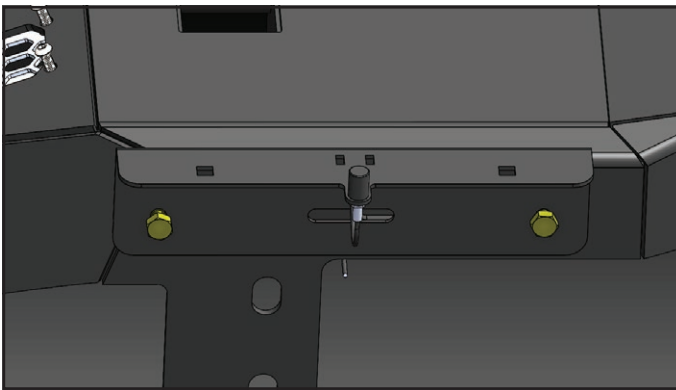


FIG. 15

- 14. Use the supplied 1/2-13 bolt plates and place them in the frame rail and thru the rear most outside hole, before installing the bumper.

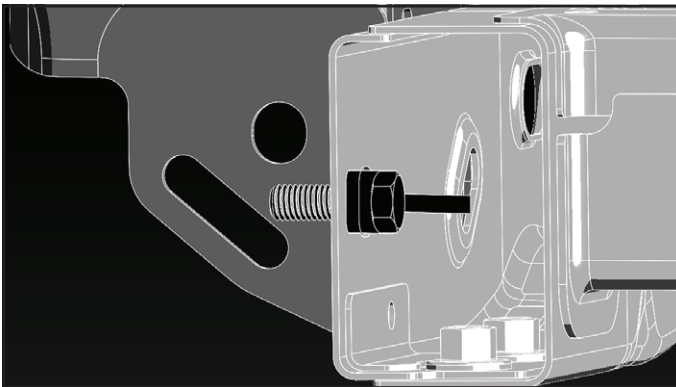


FIG. 16

- 15. With help from a buddy, lift and position the bumper in place and thread in the factory hardware thru the bottom of the bumper and into the factory bolt holes. 2 per side. Leave slightly loose so the bumper can be positioned later. Make sure not to pinch the wiring harness upon installation



FIG. 18



FIG. 19

- 16. Use the supplied 1/2-13 nylock nut and washer and thread it onto the previously installed bolt plate in the frame.

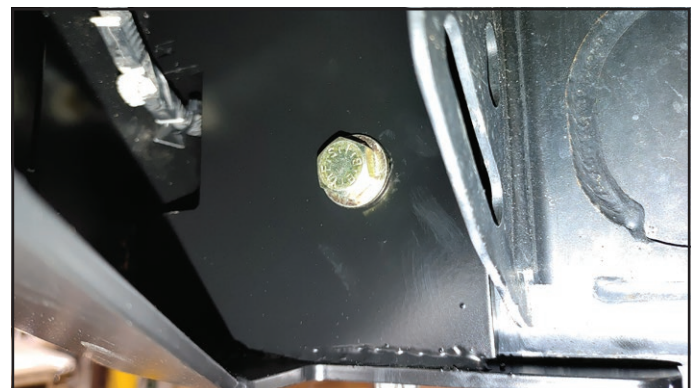


FIG. 20

- 17. Position the bumper how you like with adequate gap between the tailgate, body and bumper. Tighten the 1/2-13 nuts to 60 ft-lbs and the four factory bolts to factory spec.



18. Plug in the wiring harness to either side, making sure you hear the plug clip into place.

Congratulations! Your installation is complete.



***RETORQUE ALL NUTS, BOLTS AND LUGS AFTER 100 MILES AND PERIODICALLY THEREAFTER.***

**LIMITED LIFETIME WARRANTY**

*ICON Vehicle Dynamics warrants to the original retail purchaser who owns the vehicle on which the product was originally installed. ICON Vehicle Dynamics does not warrant the product for finish, alterations, modifications and/or installation contrary to ICON Vehicle Dynamics instructions. ICON Vehicle Dynamics products are not designed, nor are they intended to be installed on vehicles used in race applications, for racing purposes or for similar activities. (A "race" is defined as any contest between two or more vehicles, or a contest of one or more vehicles against the clock, whether or not such contest is for a prize). This warranty does not include coverage for police or taxi vehicles, race vehicles, or vehicles used for government or commercial purposes. Also excluded from this warranty are sales outside of the United States of America and Canada.*

*ICON Vehicle Dynamics' obligation under this warranty is limited to the repair or replacement, at ICON Vehicle Dynamics' discretion, of the defective product. Any and all costs of removal, installation or re-installation, freight charges and incidental or consequential damages are expressly excluded from this warranty. Items that are subject to wear are not considered defective when worn and are not covered.*

*ICON Vehicle Dynamics components must be installed as a complete kit as shown in our current application guide. Any substitutions or exemptions of required components will immediately void the warranty. Some finish damage may happen to parts during shipping and is not covered under warranty.*

*This warranty is expressly in lieu of all other warranties expressed or implied. This warranty shall not apply to any product that has been improperly installed, modified or customized subject to accident, negligence, abuse or misuse.*

**ICON VEHICLE DYNAMICS®**  
PERFORMANCE SUSPENSION SYSTEMS AND SHOCK ABSORBERS

7929 Lincoln Ave. Riverside, CA 92504  
Phone: 951.689.ICON Fax: 951.689.1016  
[www.iconvehicledynamics.com](http://www.iconvehicledynamics.com)

**FOLLOW US ON FACEBOOK!**