

RADIANCE™

RIGID®

POD / POD SCENE INSTALLATION INSTRUCTIONS

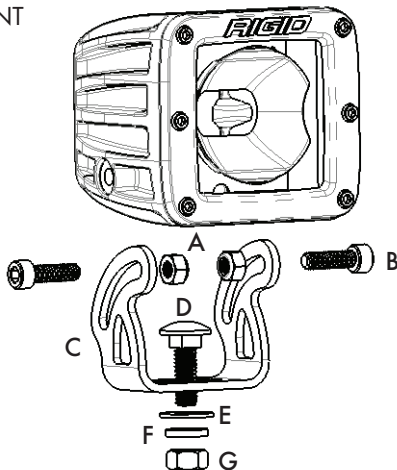


*Angled
View

IMPORTANT

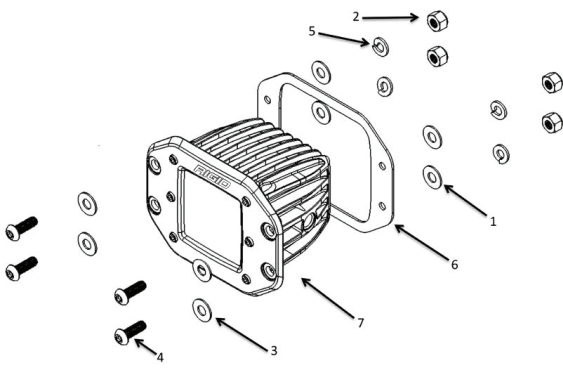
1. Radiance lights are designed to operate from 10V DC - 15 VDC only. Using this product on a 24V DC or higher system will cause permanent damage to electrical components.
2. Colored back-lighting and projecting LED's are intended for off-road use only. Consult your local, state and federal laws, rules and regulations to determine whether your particular application/installation is authorized for use on a public highway.

SURFACE MOUNT



- A M6 Nylock Nut
- B M6-1x20 Socket Head
- C Mounting Bracket can be reversed for additional mounting options
- D 5/16-18x1 Carriage Bolt
- E 5/16 Flat Washer
- F 5/16 Lock Washer
- G 5/16-18 Nut

FLUSH MOUNT

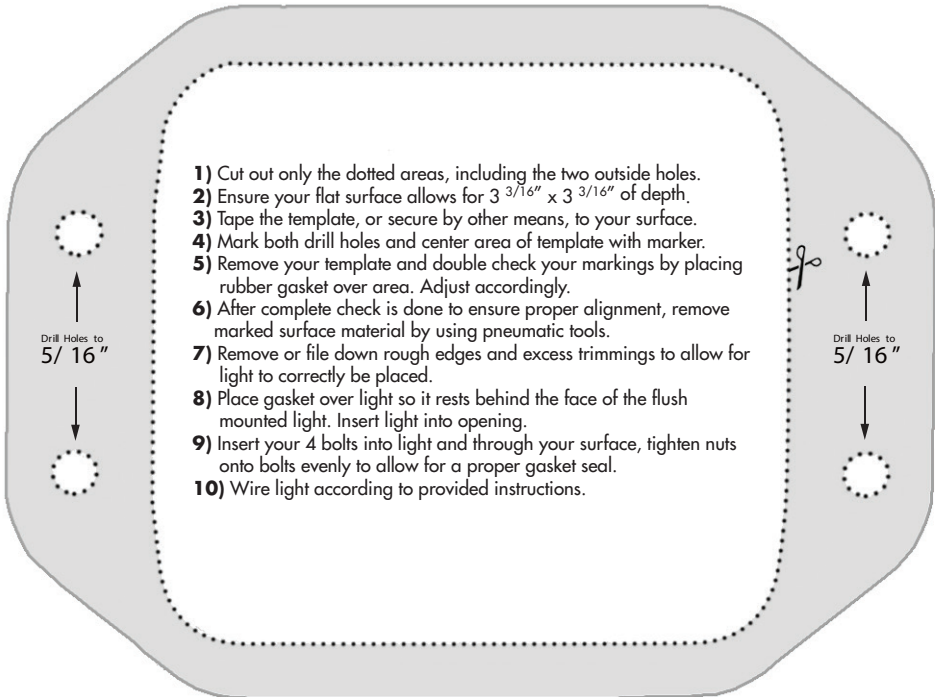


1. 1/4" Flat Washer
2. 1/4 - 20 Nut
3. 1/4" Isolation Washer
4. 1/4 - 20 x 3/4 Button Socket Bolt
5. 1/4" Lock Washer
6. Flushmount Gasket

RADIANCE POD MOUNTING TEMPLATE

Measurements are in Inches

WHEN PRINTING: PRINT 100% ACTUAL SIZE
DO NOT SIZE TO FIT

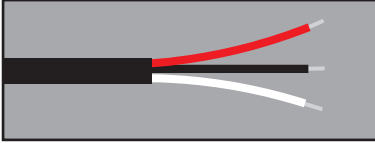


- 1) Cut out only the dotted areas, including the two outside holes.
- 2) Ensure your flat surface allows for 3 3/16" x 3 3/16" of depth.
- 3) Tape the template, or secure by other means, to your surface.
- 4) Mark both drill holes and center area of template with marker.
- 5) Remove your template and double check your markings by placing rubber gasket over area. Adjust accordingly.
- 6) After complete check is done to ensure proper alignment, remove marked surface material by using pneumatic tools.
- 7) Remove or file down rough edges and excess trimmings to allow for light to correctly be placed.
- 8) Place gasket over light so it rests behind the face of the flush mounted light. Insert light into opening.
- 9) Insert your 4 bolts into light and through your surface, tighten nuts onto bolts evenly to allow for a proper gasket seal.
- 10) Wire light according to provided instructions.

WIRING

RADIANCE™

WIRING LEADS



RED WIRE (+12V DC) = PROJECTING TRIGGER

BLACK WIRE = GROUND

WHITE WIRE (+12V DC) = BACK-LIGHTING TRIGGER

WIRING INSTRUCTIONS

1. Always disconnect the negative battery terminal from the vehicle when working with any electrical circuits.
2. If connecting to existing wiring, make sure to use appropriate fusing and wire gauge. Be sure to use heat shrink tubing on all connections to ensure a weather tight seal.
3. Be aware of the current rating of your selected switch, if switch rating is less than the amperage required to power your lighting then a relay must be added in line to prevent failure of the switch.
4. When routing wiring through any metal surface be sure the surface is free of any sharp edges and protected by using wire sheathing.
5. Follow the wiring image above to ensure you have the correct wire color for the separate back-lighting and projecting LED circuits.
6. Re-connect the negative battery terminal and fully tighten all mounting hardware. Test to verify functionality and beam angle.

Radiance Pod
Scene Beam
Pattern



Up to 100°

Radiance
Pod Beam
Pattern



Radiance Pod / Pod Scene
Harness Comes Complete with:

(2) Switches, (1) In-Line Fuse,
(2) Output Leads, and Battery Leads.

*Sold Separately

Part # 40300

Warranty Information

For warranty information visit www.rigidindustries.com/about/warranty

779 N Colorado St, Gilbert, AZ 85233 • 855-760-5337 ext 1008 • www.rigidindustries.com

Rigid Industries and Rigid Industries Radiance are registered and/or common law marks owned by JST Performance, LLC d/b/a Rigid Industries.