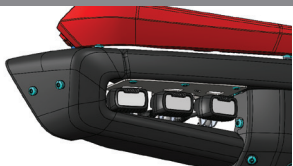


## INSTALLATION INSTRUCTIONS

### 2021+ FORD BRONCO TRIPLE FOG MOUNT KIT



#### PRODUCT INCLUDES:

{2} Mount #46730  
\*Lights sold separately

#### RECOMMENDED TOOLS:

T40 Torx Bit

THANK YOU FOR PURCHASING RIGID INDUSTRIES' PRODUCTS FOR YOUR VEHICLE.

Please read through all of these Instructions and tips before proceeding with the installation. We do our best to provide a simple installation process for all applications however a professional installation is always recommended.

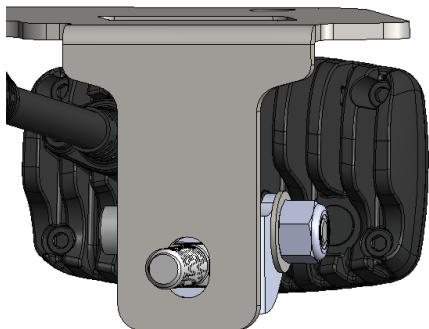
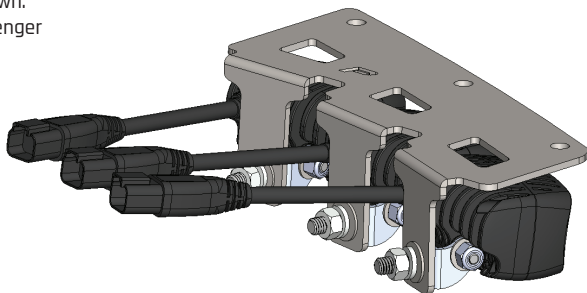
#### IMPORTANT

Always disconnect any power sources connected to your vehicle before servicing fuses or electrical systems.

#### STEP: 1

Assemble the standard surface mounting brackets to the SR-M pod lights.

Note: Passenger bracket as shown.  
Brackets are labeled P for passenger side and D for driver side.

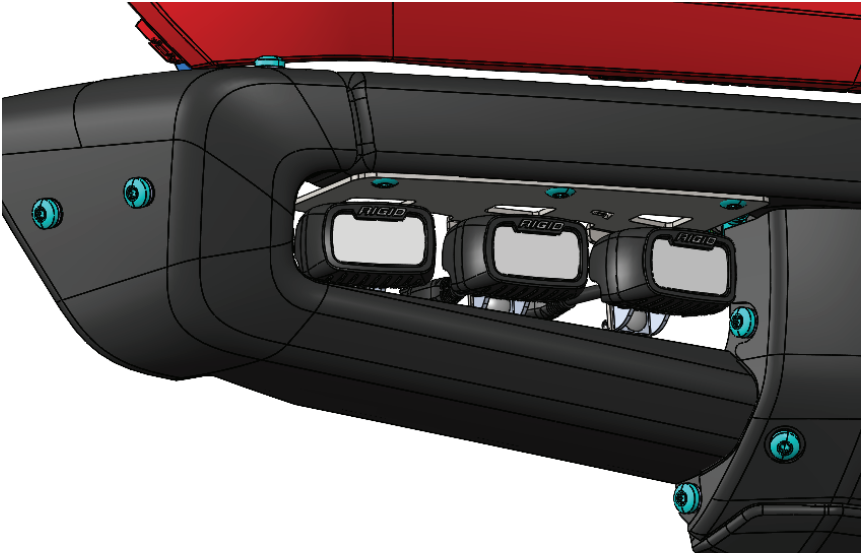


The main mounting brackets tabs are slotted for height adjustment as shown in the second picture.

# **RIGID** INSTALLATION INSTRUCTIONS

## **STEP: 2**

Remove the (3) existing factory bolts per a side with a T40 Torx. Re-use these bolts to install the new RIGID bracket. It is recommended to apply blue thread locker when re-installing the factory bolts.



## **STEP: 3**

Use the supplied wiring harness to supply a power source to the lights.

**Wiring:** Wire your lights according to the instructions included with the light. Take care to avoid any heat sources and sharp or abrasive surfaces.

Your installation is now complete.  
**Welcome to the Rigid Nation!**

### **WARRANTY INFORMATION**

For warranty information, visit [www.rigidindustries.com/about/warranty](http://www.rigidindustries.com/about/warranty) 779 N Colorado St, Gilbert, AZ 85233 • 855-760-5337  
[www.rigidindustries.com](http://www.rigidindustries.com)

RIGID, SR-M Series, and Rigid Industries are registered and/or common law marks owned by JST Performance, LLC, a Delaware limited liability company d/b/a Rigid Industries.

11-14108-A