

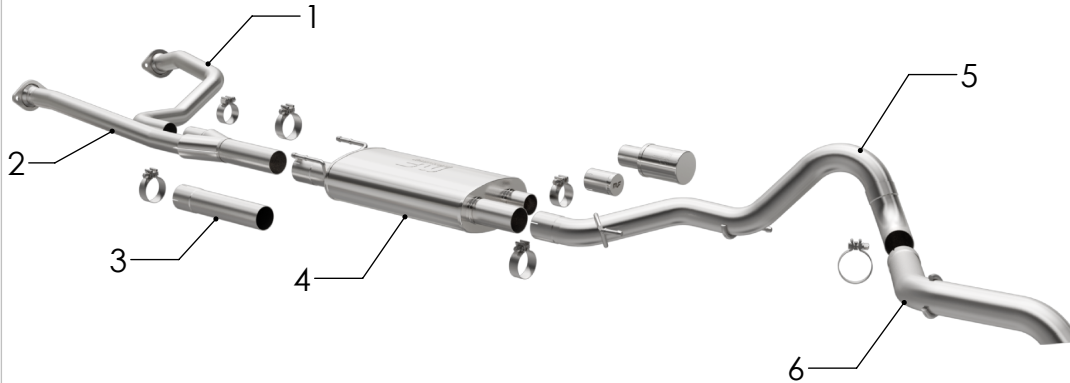


INSTALLATION INSTRUCTIONS



TOYOTA TUNDRA OVERLAND CAT-BACK | PART NO. 19604

BILL OF MATERIALS:



- 1. INLET ASSY P/S.
- 2. INLET ASSY D/S.
- 3. EXT. PIPE.
- 4. MUFFLER ASSY.
- 5. OVER AXLE PIPE.
- 6. TAILPIPE ASSY.



WEAR SAFETY GLASSES



READ INSTRUCTIONS THOROUGHLY BEFORE INSTALLING PRODUCT



SPRAY LUBRICANT

To ease removal of existing exhaust components (especially on older vehicles) spray penetrating lubricant on all fasteners and hangers/insulators that will be loosened or removed and let soak before disassembly.



13mm



Hanger Tool (Or Pry Bar)

SHOP SUPPLIES:

HARDWARE KIT:

- 1. [2] 2.50" Torca Clamp
- 2. [4] 3.00" Torca Clamp
- 3. [1] MF Block Off Pipe

MINIMUM REQUIRED TOOLS:

MAGNAFLOW RECOMMENDS PROFESSIONAL INSTALLATION ON ALL THEIR PRODUCTS

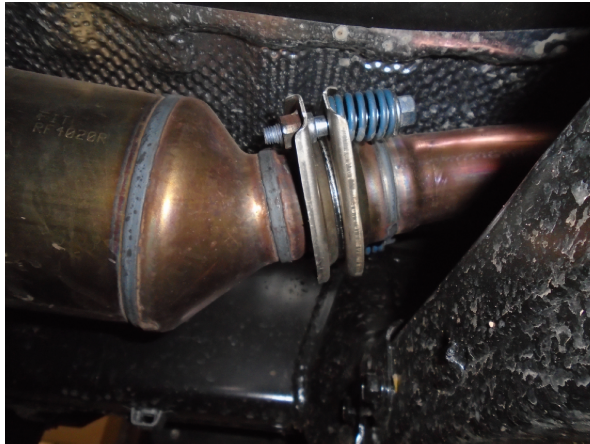


WARNING: When working on, under, or around any vehicle exercise caution. Please allow the vehicle's exhaust system to cool before removal, as exhaust system temperatures may cause severe burns. If working without a lift always consult vehicle manual for correct lifting specifications. Always wear safety glasses and ensure a safe work area. Serious injury or death could occur if safety measures are not followed.

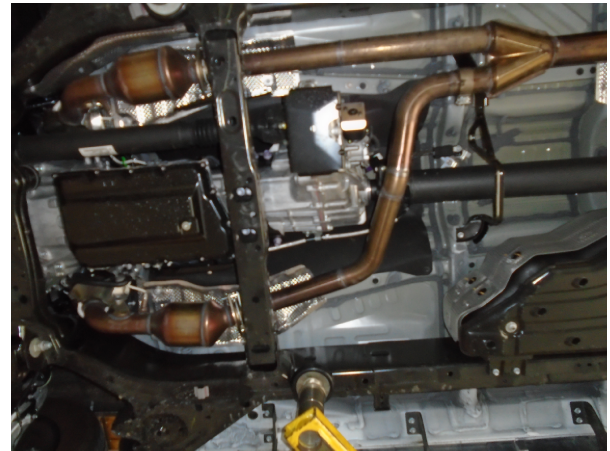
ATTENTION: Always install any supplied band or U-bolt clamps to the proper torque specifications of 40-45 ft-lb for band clamps and 30-35 ft-lb for U-bolt clamps. Over tightening will result in the clamps breaking and will NOT be warranted by MagnaFlow.

MAGNAFLOW: 1901 Corporate Centre Dr - Oceanside, CA 92056 | 1(800)990-0905
Technical Support: 1(800) 959-9226 | Email: moreinfo@magnaflow.com

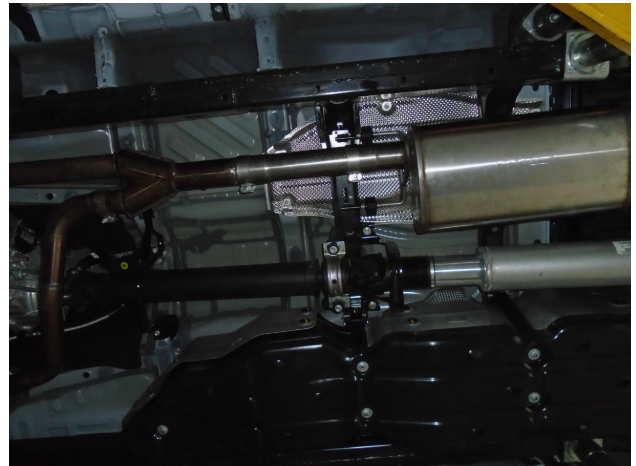
INSTALLATION INSTRUCTIONS



Step 1: To remove the OE exhaust system, loosen fasteners at the inlet flanges (2) where they connect to the catalytic converters. Working front to rear disengage the hangers from the rubber insulators, remove the remaining fasteners at flange junctions and drop the system. (Retain the Inlet fasteners, gaskets and rubber insulators as they will be used to install your new system.)



Step 2: Begin Installation of the new MagnaFlow system by attaching Passenger side Inlet Assembly using the OE fasteners and gaskets. Next install the Driver side in a similar fashion (using OE fasteners) and using a supplied 2.50" clamp attach it to the Passenger side inlet. (Leave all clamps and fasteners loose until final adjustment for fit.)



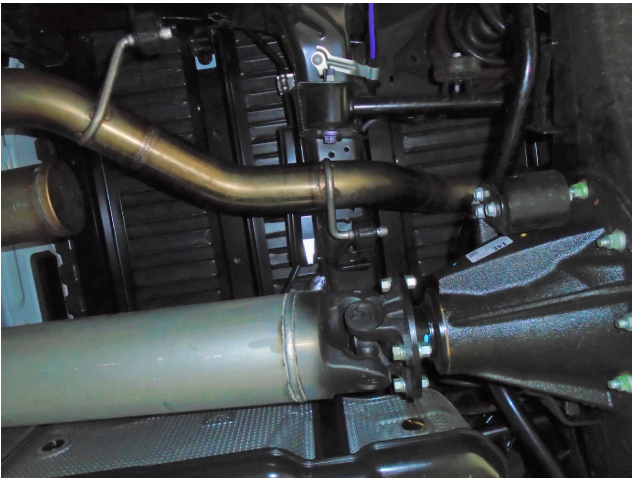
Step 3: At this point if you are installing the MagnaFlow exhaust system on a Long Bed vehicle you will need to install the 15" Extension Pipe using the supplied 3.00" clamp. (The short bed does not require this pipe). Next install the Muffler Assembly using the supplied 3.00 clamp and fit the hangers into the rubber insulators.

MAGNAFLOW: 1901 Corporate Centre Dr - Oceanside, CA 92056 | 1(800)990-0905
Technical Support: 1(800) 959-9226 | Email: moreinfo@magnaflow.com

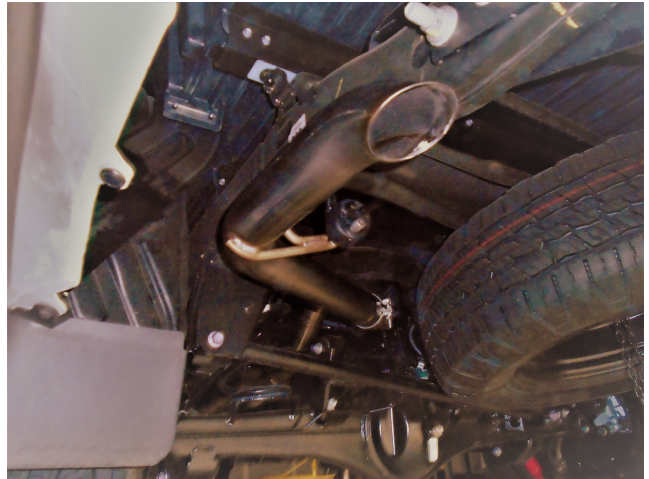
INSTALLATION INSTRUCTIONS



Step 4: This exhaust system is configured to allow the user to tune the sound. For a more moderate exhaust tone install the 4.00 x .600" NDT (No Drone Technology) Chamber (as shown) using the supplied 2.50" clamps. For a more aggressive sound block the Muffler outlet with the supplied MF logo'd cap.



Step5: Next, attach the Overaxle pipe to the muffler Assembly and loosely tighten.



Step 6: Using the OE rubber insulators install the tailpipe assemblies to the Over Axle Pipe fitting the hangers into the installed hanger brackets.



Step 7: Once a final position has been chosen for the new exhaust system, evenly tighten all clamps from front to rear using the torque specifications on page one of the instructions. Inspect all fasteners after 25-50 miles of operation and re-tighten if necessary.