



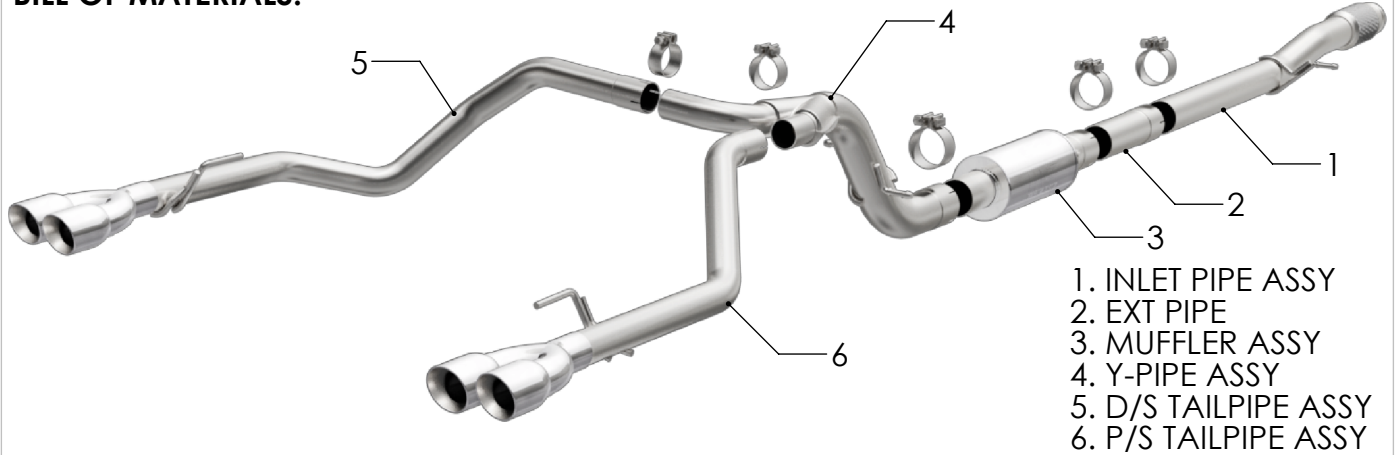
# INSTALLATION INSTRUCTIONS



2019 Silverado/Sierra 1500 6.2L

PART NO. 19489

## BILL OF MATERIALS:



WEAR SAFETY GLASSES



READ INSTRUCTIONS THOROUGHLY BEFORE INSTALLING PRODUCT



SPRAY LUBRICANT

To ease removal of existing exhaust components (especially on older vehicles) spray penetrating lubricant on all fasteners and hangers/insulators that will be loosened or removed and let soak before disassembly.

## HARDWARE KIT:

1. [3] 3.50" Clamp
2. [2] 2.50" Clamp

## MINIMUM REQUIRED TOOLS:



15 mm



Hanger Tool (Or Pry Bar)

## **MAGNAFLOW RECOMMENDS PROFESSIONAL INSTALLATION ON ALL THEIR PRODUCTS**

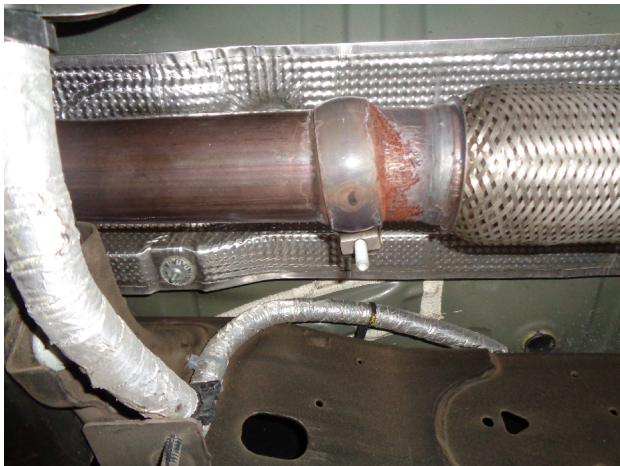
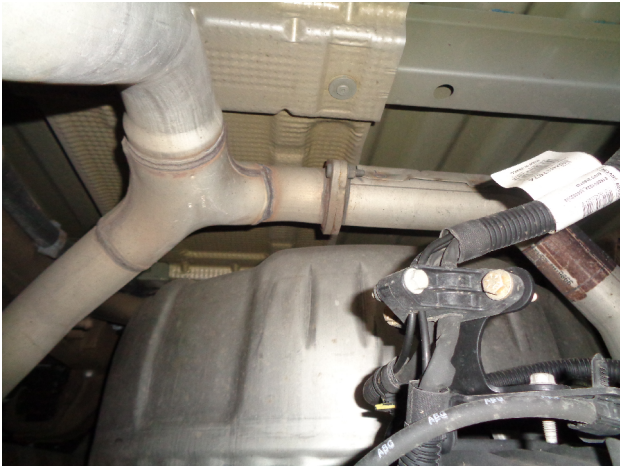


**WARNING:** When working on, under, or around any vehicle exercise caution. Please allow the vehicle's exhaust system to cool before removal, as exhaust system temperatures may cause severe burns. If working without a lift always consult vehicle manual for correct lifting specifications. Always wear safety glasses and ensure a safe work area. Serious injury or death could occur if safety measures are not followed.

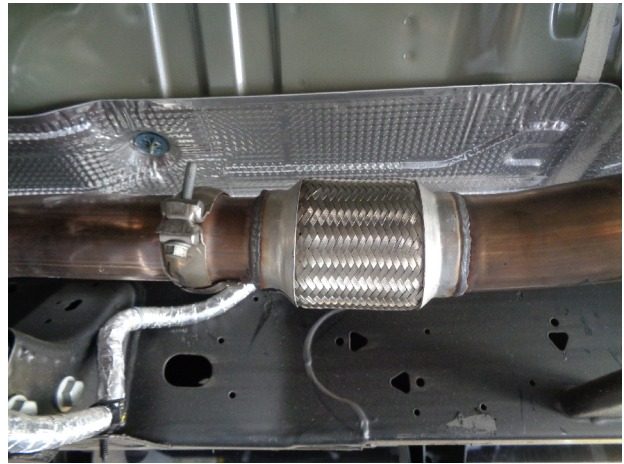
**ATTENTION:** Always install any supplied band or U-bolt clamps to the proper torque specifications of 40-45 ft-lb for band clamps and 30-35 ft-lb for U-bolt clamps. Over tightening will result in the clamps breaking and will NOT be warranted by MagnaFlow.

**MAGNAFLOW:** 1901 Corporate Centre Dr - Oceanside, CA 92056 | 1(800)990-0905  
**Technical Support:** 1(800) 959-9226 | Email: [moreinfo@magnaflow.com](mailto:moreinfo@magnaflow.com)

## INSTALLATION INSTRUCTIONS



**Step 1.** To remove the OEM exhaust system, you will need to cut between the muffler and the Y junction where it goes over the axle. You can then disengage the welded hangers from the rubber insulators and remove the tailpipe assembly. Unfasten the clamp attaching the OEM inlet pipe assembly to the catalytic converter. Do not damage or discard the inlet pipe clamp or rubber insulators as they will be re-used to mount the new system. Disengage the inlet pipe assembly hanger and remove the exhaust from the vehicle.



**Step 2.** To begin, fasten the Inlet pipe assembly to the outlet of the OE system using the OE clamp assembly and by fitting the welded hanger into the rubber insulator (Leave all clamps and fasteners loose for final adjustment of the complete system.)



**Step 3.** Only the Crew Cab Long Bed configuration will require the supplied 12.5 Extension Pipe, Install this to Inlet Pipe Assembly if required using the supplied 3.50" clamp then attach the Muffler Assembly to the Extension Pipe. If the 12.5" Extension Pipe isn't used attach the Muffler Assembly directly to the Inlet Assembly with a supplied 3.50" clamp.

## INSTALLATION INSTRUCTIONS



**Step 4.** Next loosely attach the Y-Pipe Assembly to the Muffler Assembly using the supplied clamp. Engage the welded hangers to the rubber insulators.



**Step 5.** Complete the installation by attaching both Tailpipe Assemblies to the Y-Pipe Assembly using the Supplied 2.50" clamps.



**Step 6.** Once a final position has been chosen for the new exhaust system, evenly tighten all clamps from front to rear using the torque specifications on page one of the instructions. Inspect all fasteners after 25-50 miles of operation and re-tighten if necessary.