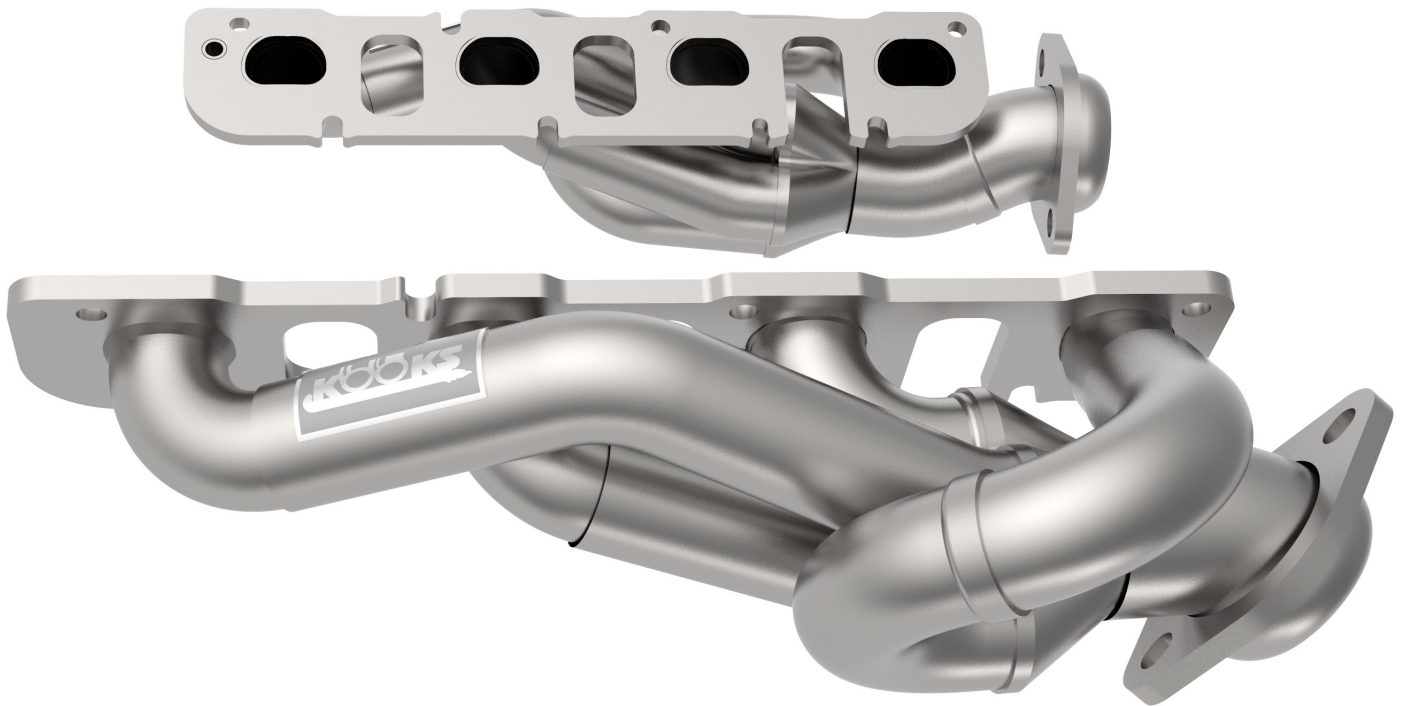


2009 - 2018 Dodge Ram Shorty Headers Installation Instructions

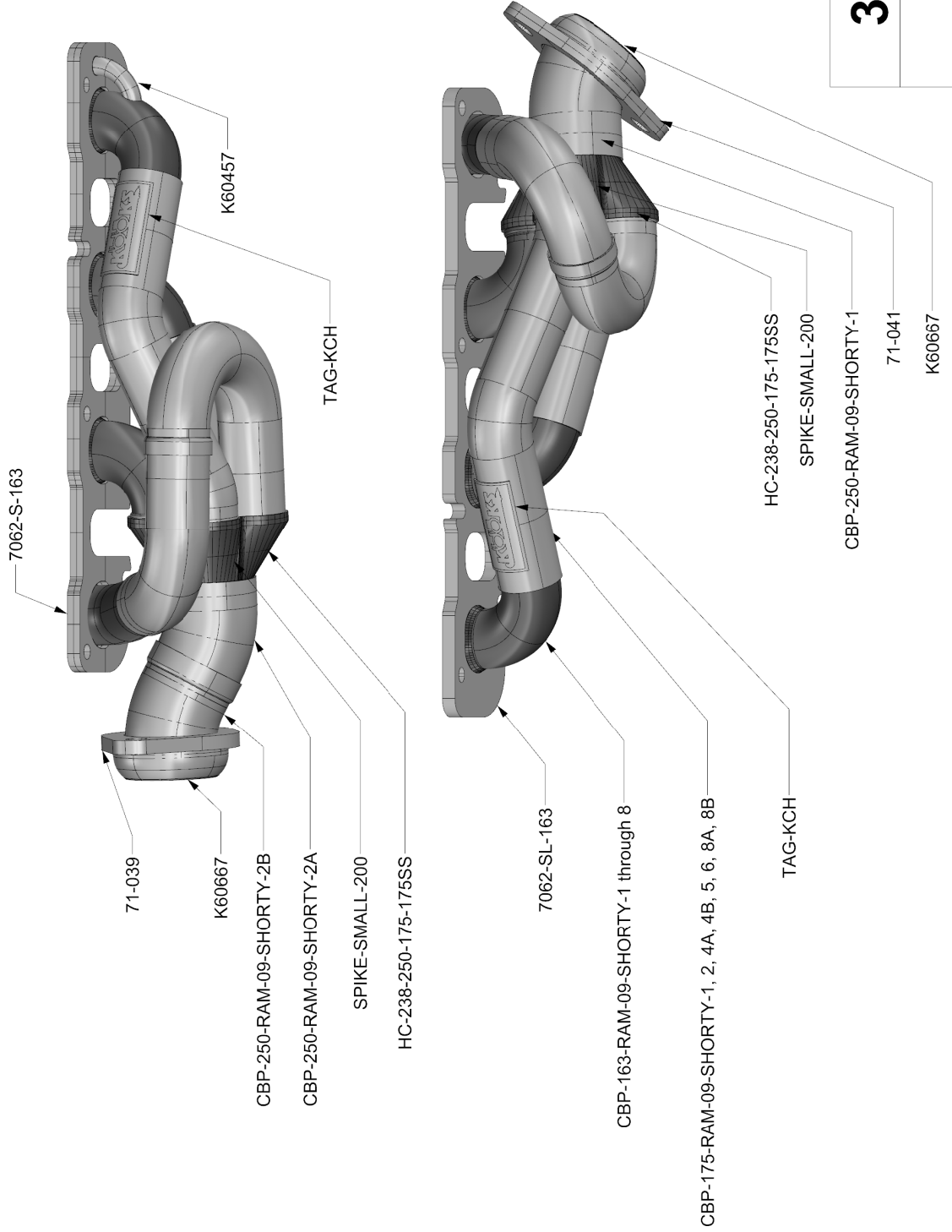


**Thank you for your purchase, we appreciate your business.
If additional assistance is needed, please contact Kooks Headers and Exhaust
Toll free at 1-866-586-KOOK or contact your local dealer.**

- System Layout -

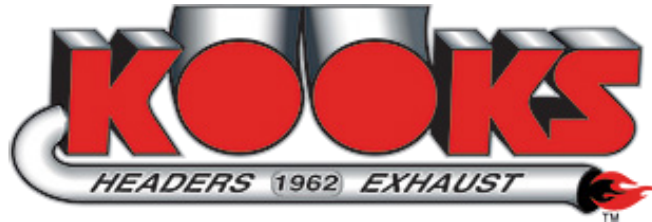
Components to Ship With-

- 1) PY-8026-AL - Header Gasket
- 1) SB-B60071 - Bolt Kit
- 1) K60161 - Dipstick Spacer



35101110

09-18 RAM
5.7L, 6.4L



Do not attempt this installation if proper safety equipment is not available to you - seek the assistance of a professional installer

Read and understand all instructions before beginning

Vehicle Preparation

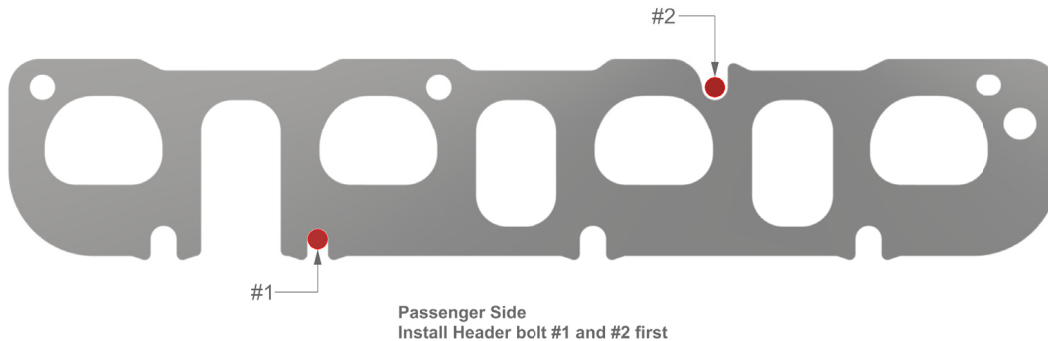
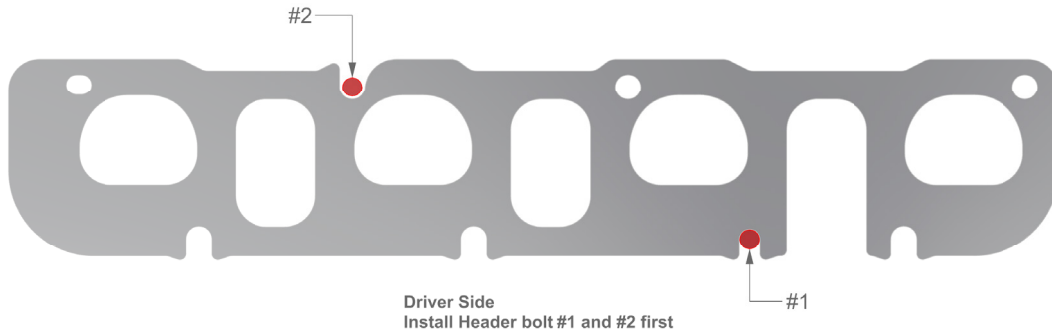
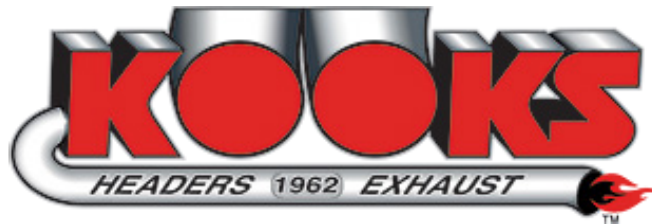
****Raise and Support Vehicle (Refer to Owner's Manual for specified jacking points) ****

Always disconnect the battery before performing this type of work on any vehicle

2 Post Lift Recommended

KOOKS Shorty Headers Installation

- Remove front inner fender liners.
- Loosen and remove nuts retaining HEAT SHIELDS
- Loosen and remove exhaust MANIFOLD bolts
- Remove dipstick tube
- Remove steering column center slip bolt and swing steering components out of the way
- Remove bracket supporting the throttle cable and swing out of the way.
- Remove factory exhaust manifolds
- Clean all gasket sealing surfaces prior to installation of headers
- Install new HEADER GASKETS
- See drawing below. Install header bolt #1 and #2 in head with about 1/2" of thread sticking out. Install the header by hanging it on the #1 bolt first and then swinging the header up to #2.



- Install the remaining header bolts. One of the bolts is longer than the rest, this goes with the dipstick spacer on front-top bolt hole on driver side.
- Tighten HEADER BOLTS to OEM Torque Specs
- On passenger side reroute wiring away from headers and zip tie
- Clean all fingerprints/oil/grease from exhaust prior to starting engine
- Start engine and check for exhaust leaks (tighten clamps as needed)
- Allow engine to complete one full heat cycle (heat to operating temp, cool to ambient temp)
- Re-torque all connections

**Thank you for your purchase, we appreciate your business.
If additional assistance is needed, please contact Kooks Headers and Exhaust
Toll free at 1-866-586-KOOK or contact your local dealer.**